

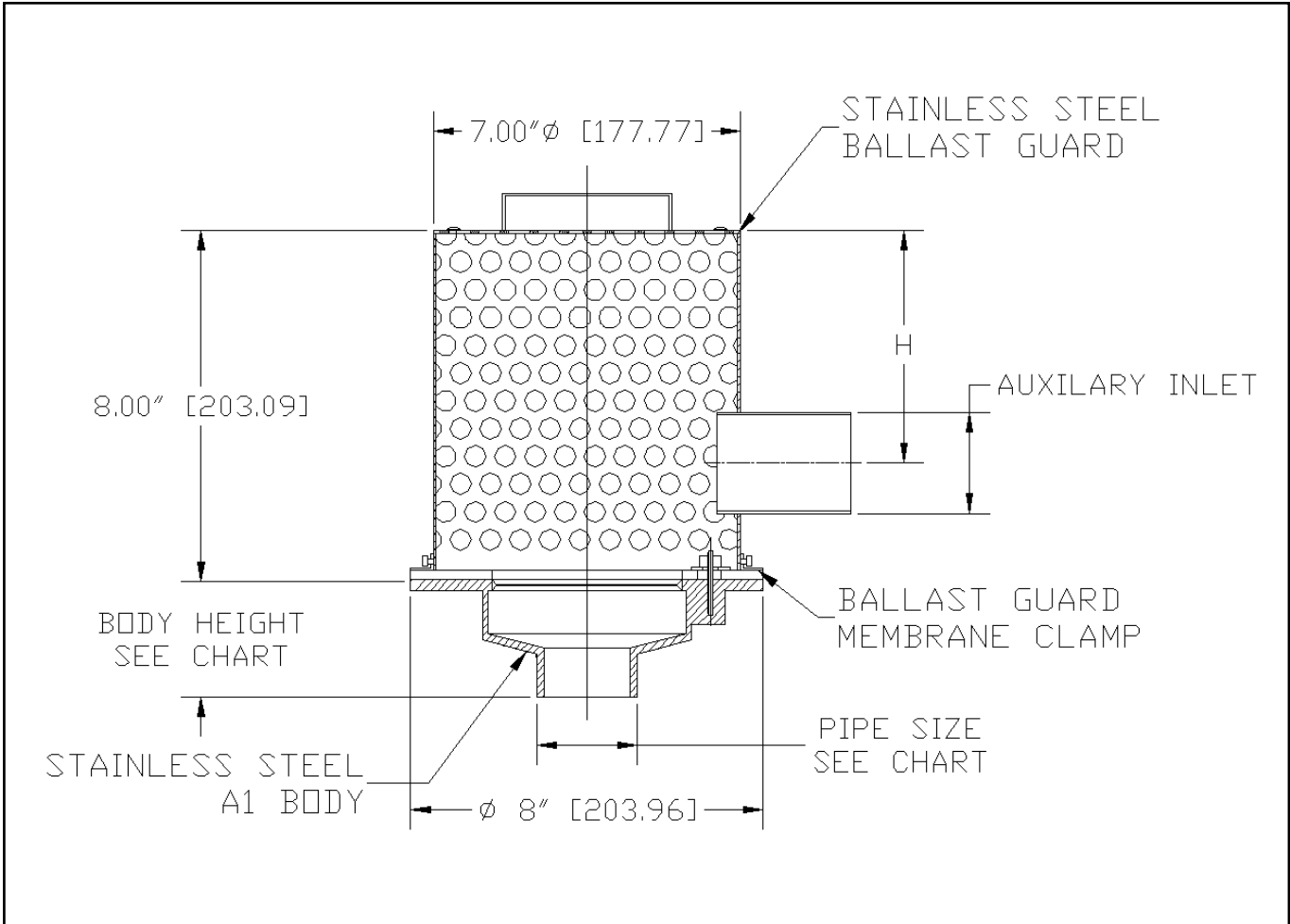
Location: _____



R1000-28-G8H-AI

GREEN ROOF DRAIN WITH PERFORATED STAINLESS STEEL BALLAST GUARD, AUXILIARY INLET AND REMOVABLE COVER

Specification: MIFAB® Series R1100-28-G8H-AI green roof drain with 8" diameter, cast stainless steel A1 body with 2", 3", or 4" no hub bottom outlet connection, stainless steel membrane clamp, 8" high secured stainless steel ballast guard with auxiliary inlet and removable perforated lid with lift handle.



MODEL NO.	PIPE SIZE
R1102-28-G8H-AI	2"
R1103-28-G8H-AI	3"
R1104-28-G8H-AI	4"

SUFFIX	OPTIONAL VARIATIONS
-6	Vandal proof secured top
-45	3" no hub auxiliary inlet (on ballast guard)
-46	4" no hub auxiliary inlet (on ballast guard)
-47	Custom ballast guard height per 1" over the standard 8"

CALIFORNIA PROPOSITION 65 WARNING. This product contains chemicals known to the State of California to cause cancer and birth defects or other reproductive harm.

Job Name: _____ Page No: _____
 Section No: _____ Contractor: _____
 Schedule No: _____ Purchase Order No: _____