

Location: _____



P9000-FL-SO

**2 1/2" Wide, Stainless Steel Linear Shower Drain
with Anchor Flange, Square Hole Grate Pattern
and Side Outlet**

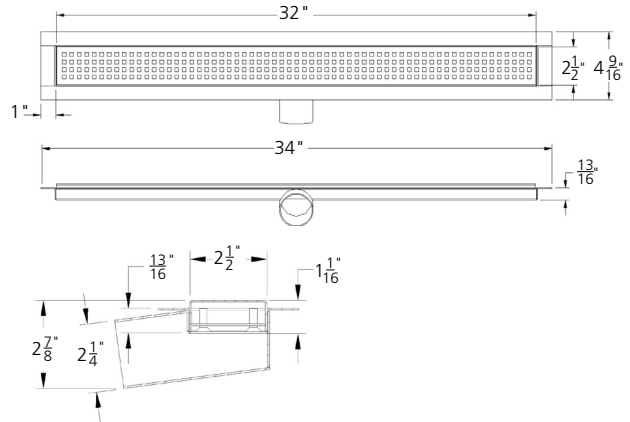
SPECIFICATION:

MIFAB® Series P9000-FL-SO, 2 1/2" wide, 1 1/16" deep Type 304 (CF8) fabricated stainless steel linear shower drain. Complete with anchor flange and vertically adjustable top assembly and frame, 2" stainless steel no hub side outlet connection and light-duty satin finished stainless steel grate with square hole pattern.

FUNCTION:

Designed for installation in shower areas where a minimum of 2" (51) concrete pour is required. The drain can be adjusted upward to accommodate an additional 1/2" in height. The anchor flange allows for liquid / fabric waterproofing. The P9000-FL-SO eliminates the need to slope the finished flooring in multiple directions. This allows the drainage of a larger floor surface area than typical shower drains. The floor can be pitched in one direction toward the linear shower drain. Type 304 construction provides anti-microbial resistance, durability and low maintenance.

Note: Every order of this product is a special / custom order fabrication. This product is non returnable and noncancellable.



MODEL NUMBER	DESCRIPTION
P9002-FL-SO-24	2 1/2" wide, Type 304 Stainless Steel Linear Shower Drain with side outlet, anchor flange and 24" long, satin finish
P9002-FL-SO-32	2 1/2" wide, Type 304 Stainless Steel Linear Shower Drain with side outlet, anchor flange and 32" long, satin finish
P9002-FL-SO-36	2 1/2" wide, Type 304 Stainless Steel Linear Shower Drain with side outlet, anchor flange and 36" long, satin finish
P9002-FL-SO-42	2 1/2" wide, Type 304 Stainless Steel Linear Shower Drain with side outlet, anchor flange and 42" long, satin finish
P9002-FL-SO-48	2 1/2" wide, Type 304 Stainless Steel Linear Shower Drain with side outlet, anchor flange and 48" long, satin finish
P9002-FL-SO-60	2 1/2" wide, Type 304 Stainless Steel Linear Shower Drain with side outlet, anchor flange and 60" long, satin finish

Note: All grates are Load Class "A", "Light Duty" Grates.

OPTIONAL VARIATIONS	DESCRIPTION
-5	Hair Strainer
-7MG	MI-GARD trap seal protection device (available for 1-1/2", 2", 3", 3-1/2", 4" and 6" outlet connections)
-CSM	Custom satin finish, stainless steel grate design and body dimensions
-CSM-ORB	Custom oil rubbed bronze grate design and body dimensions
-CSM-PS	Custom polished stainless steel grate design and body dimensions
-ORB	Oil rubbed bronze grate finish, for 24" long shower drain
	Oil rubbed bronze grate finish, for 32" long shower drain
	Oil rubbed bronze grate finish, for 36" long shower drain
	Oil rubbed bronze grate finish, for 42" long shower drain
	Oil rubbed bronze grate finish, for 48" long shower drain
	Oil rubbed bronze grate finish, for 60" long shower drain
-PS	Polished stainless steel grate finish, for 24" long shower drain
	Polished stainless steel grate finish, for 32" long shower drain
	Polished stainless steel grate finish, for 36" long shower drain
	Polished stainless steel grate finish, for 42" long shower drain
	Polished stainless steel grate finish, for 48" long shower drain
	Polished stainless steel grate finish, for 60" long shower drain

CALIFORNIA PROPOSITION 65 WARNING. This product contains chemicals known to the State of California to cause cancer and birth defects or other reproductive harm.

Job Name: _____
 Section No: _____
 Schedule No: _____

Page No: _____
 Contract: _____
 Purchase Order No: _____