

Location: _____



P6335

2 1/2" Deep, 3.10" Wide, Stainless Steel Slot Drain with 3/4" Slot Opening

SPECIFICATION:

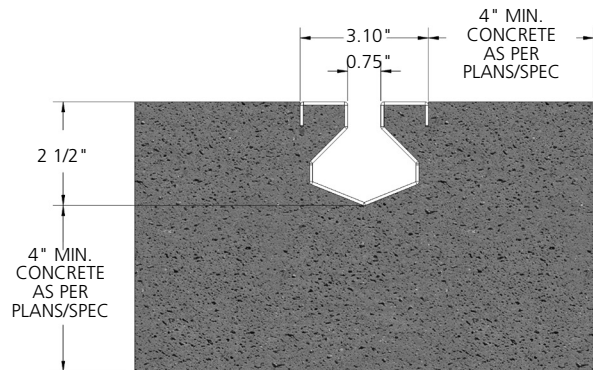
MIFAB® Series TP6335, 3.10" wide, 2 1/2" deep, 16 gauge fabricated Type 304 stainless steel presloped slot drain (1/8" per foot) with 3/4" wide opening and anchor tabs. Bodies have flanged ends to connect to each other with a neoprene rubber gasket in between. End outlets are available in 2" no hub outlet connections and fabricated as part of the trench drain system.

FUNCTION:

Used in kitchens, food processing and other sanitary areas that require a narrow opening to collect wastewater. Stainless steel construction provides an anti - microbial finish.

Note: The neoprene gasket used to connect long runs of trench drain bodies is not recommended for use with caustic or harsh chemicals. In these cases, it is recommended that the trench drain sections be welded on site.

Note: Every order of this product is a special / custom order fabrication. This product is non returnable and noncancellable.



Specifying engineer is responsible for concrete encasement and reinforcing based upon application and local codes.

MODEL NUMBER	DESCRIPTION
P6335	2 1/2" Deep, 3.10" wide, Type 304 Stainless Steel Slot Drain with 3/4" Slot Opening
P6335-29	2 1/2" Deep, 3.10" wide, Type 316 Stainless Steel Slot Drain with 3/4" Slot Opening

OPTIONAL VARIATIONS	DESCRIPTION
Length	Specify the length that is required

CALIFORNIA PROPOSITION 65 WARNING. This product contains chemicals known to the State of California to cause cancer and birth defects or other reproductive harm.

Job Name: _____ Page No: _____
 Section No: _____ Contract: _____
 Schedule No: _____ Purchase Order No: _____