

Location: _____



P6060

6" Wide, Stainless Steel Body and Grate System

SPECIFICATION:

MIFAB® Series P6060, 6" wide, 16 gauge fabricated Type 304 stainless steel presloped trench drain (1/8" per foot) with slotted Load Class "A" Light duty stainless steel ADA compliant grates. Free area of 10.00 square inches per 1' section. Square bottom bodies have flanged ends to connect to each other with a neoprene rubber gasket in between. Bottom and end outlets are available in 2", 3" or 4" no hub outlet connections (specify outlet size) and fabricated as part of the trench drain system. Also available with B, C, D and E load rated stainless steel grates and optional anchor flange (Suffix -FL).

FUNCTION:

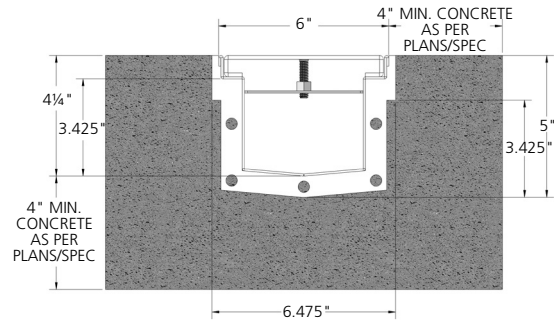
Used in industrial, commercial, kitchen and other hygienic areas. Type 304 stainless steel construction provides for ease of cleaning, maintenance and sanitary installation. The inside of the body is manufactured without any overlapping material to ensure that bacteria does not have a place to grow. All grate openings are polished to a smooth finish.

Note: The neoprene gasket used to connect long runs of trench drain bodies is not recommended for use with caustic or harsh chemicals. In these cases, it is recommended that the trench drain sections be welded on site.



(Illustrated with Optional -FL Anchor Flange)

Note: Every order of this product is a special / custom order fabrication. This product is non returnable and noncancellable.



Specifying engineer is responsible for concrete encasement and reinforcing based upon application and local codes.

The P6060-LCB is NSF certified with a load classification of Medium Duty.

MODEL NUMBER	DESCRIPTION
P6060	6" wide, Type 304 Stainless Steel Trench Drain Body and Grate System (Load Class "A", "Light Duty" ADA compliant grates)
P6060-29	6" wide, Type 316 Stainless Steel Trench Drain Body and Grate System (Load Class "A", "Light Duty" ADA compliant grates)

OPTIONAL VARIATIONS	DESCRIPTION
-C	Membrane Clamp
-EO	For a 1 1/2" end outlet add Suffix -150-EO to the model #. Eg. P6012-150-EO. For a 2" end outlet add Suffix -EO to the model #. Eg. P6012-EO.
-FL	Anchor Flange (Instead of Anchor Tabs)
-LCB	Load Class "B", Medium Duty Grate (2,000 - 4,999 lbs.)
-LCC	Load Class "C", Heavy Duty Grate (5,000 - 7,499 lbs.)
-LCD	Load Class "D", Extra Heavy Duty Grate (7,500 - 10,000 lbs.)
-LCE	Load Class "E", Special Duty Grate (over 10,000 lbs.)
Length	Specify the length that is required
-LS	Longitudinal Slotted Grate (ADA Compliant)
-NS	Slip Resistant Grate (Non slip grit finish)

P	Push on outlet
-PG	Perforated Grate (1/4" diameter holes)
-PHP	Perforated "Heel Proof Grate" (less than 1/4" diameter perforations)
-RSC	Rounded Inside Bottom Corners
-SHP	Slotted "Heel Proof" Grate (less than 1/4" wide slots)
T	Threaded outlet
X	Inside caulk outlet
-5	Sediment Bucket
-6	Vandal Resistant Grate
-7MG	MI-GARD trap seal protection device (available for 1-1/2", 2", 3", 3-1/2", 4" and 6" outlet connections)
-90	90 Degree Section

Note: A 2" No Hub bottom outlet is standard. For a 1 1/2" no hub bottom outlet connection, specify Suffix -150 after the model #. Eg. P6030-150.

CALIFORNIA PROPOSITION 65 WARNING. This product contains chemicals known to the State of California to cause cancer and birth defects or other reproductive harm.

Job Name: _____ Page No: _____
 Section No: _____ Contract: _____
 Schedule No: _____ Purchase Order No: _____