

Location: _____



P3120

12" x 12" Stainless Steel Fabricated Floor Drain with Solid Cover & Perimeter Drainage

SPECIFICATION:

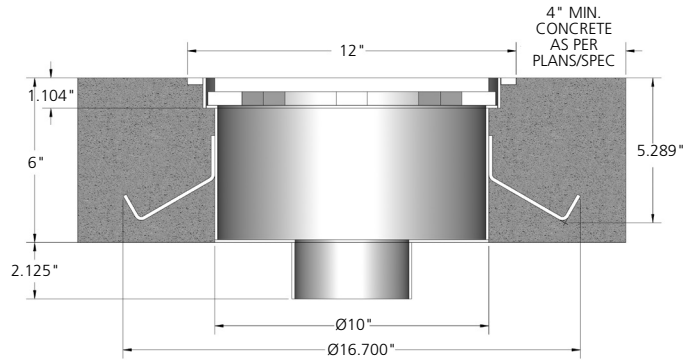
MIFAB® Series P3120, 12" x 12" heavy duty floor drain with solid cover and perimeter drainage opening. Body is manufactured out of 16 gauge, Type 304 stainless steel. Solid cover is 1/2" thick Type 304 stainless steel with a Load Class "C" heavy duty cover. Free area of 8 square inches. Bottom outlets are available in 2", 3", 4" or 6" no hub outlet connections (specify outlet size) and fabricated as part of the floor drain. Also available with an optional anchor flange (Suffix -FL) and D or E load rated cover.

FUNCTION:

Used in industrial, commercial, kitchen and other hygienic areas such as dairies. Type 304 stainless steel construction provides for ease of cleaning, maintenance and sanitary installation. All grate openings are polished to a smooth finish.



Note: Every order of this product is a special / custom order fabrication. This product is non returnable and noncancellable.



Specifying engineer is responsible for concrete encasement and reinforcing based upon application and local codes.

The P3120-LCE is NSF certified with a load classification of Special Duty.

MODEL NUMBER	DESCRIPTION
P3120	12" x 12", Type 304 Stainless Steel Fabricated Floor Drain with Solid Cover and Perimeter Drainage, 16 Gauge Body (Load Class "C", "Heavy Duty" grate)
P3120-29	12" x 12", Type 316 Stainless Steel Fabricated Floor Drain with Solid Cover and Perimeter Drainage, 16 Gauge Body (Load Class "C", "Heavy Duty" grate)

OPTIONAL VARIATIONS	DESCRIPTION
-C	Membrane Clamp (Two pieces)
-FL	Anchor Flange
-LCD	Load Class "D", Extra Heavy Duty Grate (7,500 - 10,000 lbs.)
-LCE	Load Class "E", (over 10,000 lbs.) Solid Cover
-LF	Round top body without square frame
P	Push on outlet
-SGC	Solid, gasketed cover with removable pull ring
-SO	Put 2, 3, 4 or 6 in the last of the four digits of the model # to indicate the side outlet connection size and add suffix -SO. Eg. P2064-SO for a 4" side outlet.
T	Threaded outlet
X	Inside caulk outlet
-5	Sediment Bucket
-6	Vandal Resistant Grate
-7	Trap Seal Primer Tapping (1/2")
-7MG	MI-GARD trap seal protection device (available for 1-1/2", 2", 3", 3-1/2", 4" and 6" outlet connections)
-21	Secondary Strainer (in outlet)

Note: No hub bottom outlet connections are standard. Specify 2, 3, 4 or 6 in the last of the four digit model number to indicate the bottom no hub outlet size. For the 6" bottom outlet size, please add \$75.00 for Type 304 and \$100.00 for Type 316 stainless steel. Eg. 4" no hub bottom outlet would be model # P3084.

CALIFORNIA PROPOSITION 65 WARNING. This product contains chemicals known to the State of California to cause cancer and birth defects or other reproductive harm.

Job Name: _____ Page No: _____
 Section No: _____ Contract: _____
 Schedule No: _____ Purchase Order No: _____