

Location: \_\_\_\_\_



**P2080**

**8" x 8" Stainless Steel Fabricated Floor Drain**

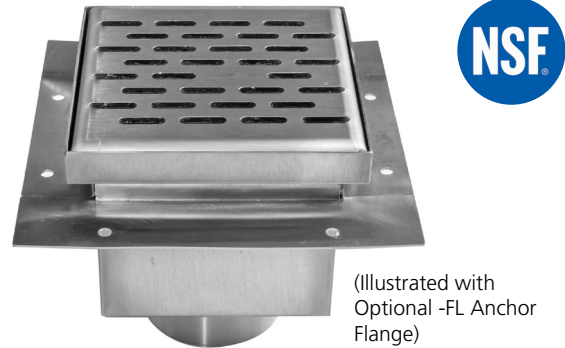
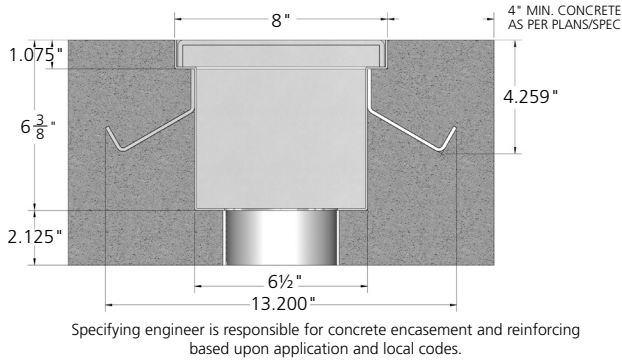
**SPECIFICATION:**

MIFAB® Series P2080, 8" x 8" floor drain manufactured out of 16 gauge, Type 304 stainless steel with anchor tabs and slotted, Load Class "A" Light duty stainless steel ADA compliant grate. Free area of 26 square inches. Bottom outlets are available in 2", 3" or 4" no hub outlet connections (specify outlet size) and fabricated as part of the floor drain. Also available with an optional anchor flange (Suffix -FL) and B, C, D or E load rated grates.

**FUNCTION:**

Used in industrial, commercial, kitchen and other hygienic areas. Type 304 stainless steel construction provides for ease of cleaning, maintenance and sanitary installation. All grate openings are polished to a smooth finish.

**Note:** Every order of this product is a special / custom order fabrication. This product is non returnable and noncancellable.



The P2080-LCB is NSF certified with a load classification of Medium Duty.

MODEL NUMBER	DESCRIPTION
<b>P2080</b>	8" x 8", Type 304 Stainless Steel Fabricated Floor Drain, 16 Gauge Body (Load Class "A", "Light Duty", ADA compliant grate)
<b>P2080-29</b>	8" x 8", Type 316 Stainless Steel Fabricated Floor Drain, 16 Gauge Body (Load Class "A", "Light Duty", ADA compliant grate)

OPTIONAL VARIATIONS	DESCRIPTION
<b>-C</b>	Membrane Clamp (Two pieces)
<b>-F4-3</b>	4" Round Stainless Steel Funnel
<b>-FL</b>	Anchor Flange
<b>-G-3</b>	4" x 9" Oval Stainless Steel Funnel
<b>-LCB</b>	Load Class "B", Medium Duty Grate (2,000 - 4,999 lbs.)
<b>-LCC</b>	Load Class "C", Heavy Duty Grate (5,000 - 7,499 lbs.)
<b>-LCD</b>	Load Class "D", Extra Heavy Duty Grate (7,500 - 10,000 lbs.)
<b>-LCE</b>	Load Class "E", Special Duty Grate (over 10,000 lbs.)
<b>-NS</b>	Slip Resistant Grate (Non slip grit finish)
<b>P</b>	Push on outlet
<b>-PD</b>	Solid cover with perimeter drainage slot
<b>-PG</b>	Perforated Grate (1/4" diameter holes)
<b>-PHP</b>	Perforated "Heel Proof Grate" (less than 1/4" diameter perforations)

<b>-RSC</b>	Rounded Inside Bottom Corners
<b>-SGC</b>	Solid, gasketed cover with removable pull ring
<b>-SHP</b>	Slotted "Heel Proof" Grate (less than 1/4" wide slots)
<b>-SO</b>	Put 2, 3, 4 or 6 in the last of the four digits of the model # to indicate the side outlet connection size and add suffix -SO. Eg. P2064-SO for a 4" side outlet.
<b>T</b>	Threaded outlet
<b>X</b>	Inside caulk outlet
<b>-5</b>	Sediment Bucket
<b>-6</b>	Vandal Resistant Grate
<b>-7</b>	Trap Seal Primer Tapping (1/2")
<b>-7MG</b>	MI-GARD trap seal protection device (available for 1-1/2", 2", 3", 3-1/2", 4" and 6" outlet connections)
<b>-9</b>	Hinged Grate
<b>-21</b>	Secondary Strainer (in outlet)

**Note:** No hub bottom outlet connections are standard. Specify 2, 3, 4 or 6 in the last of the four digit model number to indicate the bottom no hub outlet size. For the 6" bottom outlet size, please add \$75.00 for Type 304 and \$100.00 for Type 316 stainless steel. Eg. 4" no hub bottom outlet would be model # P2084.

CALIFORNIA PROPOSITION 65 WARNING. This product contains chemicals known to the State of California to cause cancer and birth defects or other reproductive harm.

Job Name: \_\_\_\_\_ Page No: \_\_\_\_\_  
 Section No: \_\_\_\_\_ Contract: \_\_\_\_\_  
 Schedule No: \_\_\_\_\_ Purchase Order No: \_\_\_\_\_