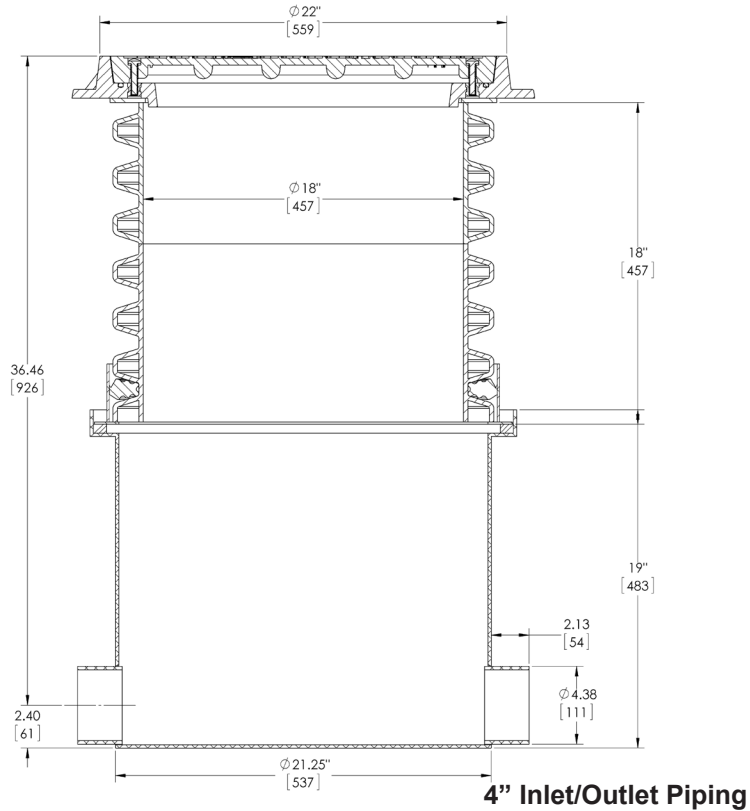


MIFAB Inline Sample Port for existing construction. The Inlet and Outlet are at the same height.



MIFAB -SP Sampling Port

MIFAB's Sampling Port is designed to deliver effluent samples direct from the interceptor without having to remove the MIFAB Grease Interceptor lid.

Option -SP for existing construction. Inlet and Outlet are at the same height.



-SP Sampling Port

Schedule #:

PO#:

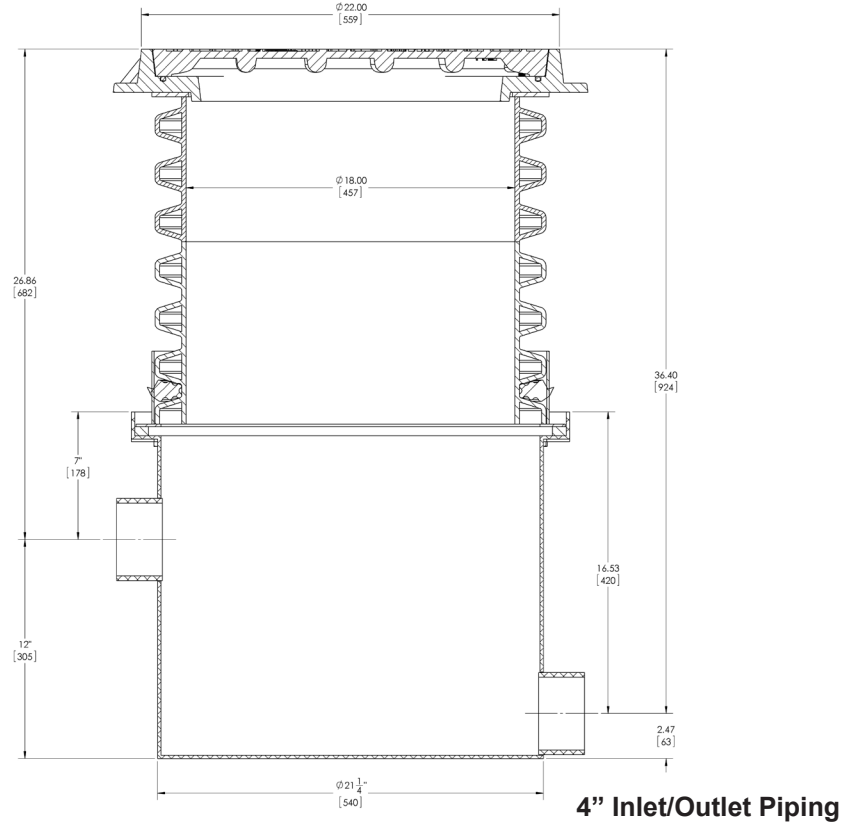
Section #:

Location:

Project Name:

Contact:

MIFAB **Offset Sample Port** for new construction. The Inlet is located above the Outlet.



Schedule #:

PO#:

Section #:

Location:

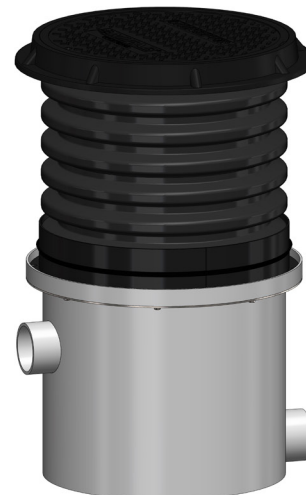
Project Name:

Contact:

MIFAB -SP-OF Sampling Port

MIFAB's Sampling Port is designed to deliver effluent samples direct from the interceptor without having to remove the MIFAB Grease Interceptor lid.

Option -SP-OF for new construction. The Inlet is located above the Outlet.



-SP-OF Sampling Port