

Location: _____

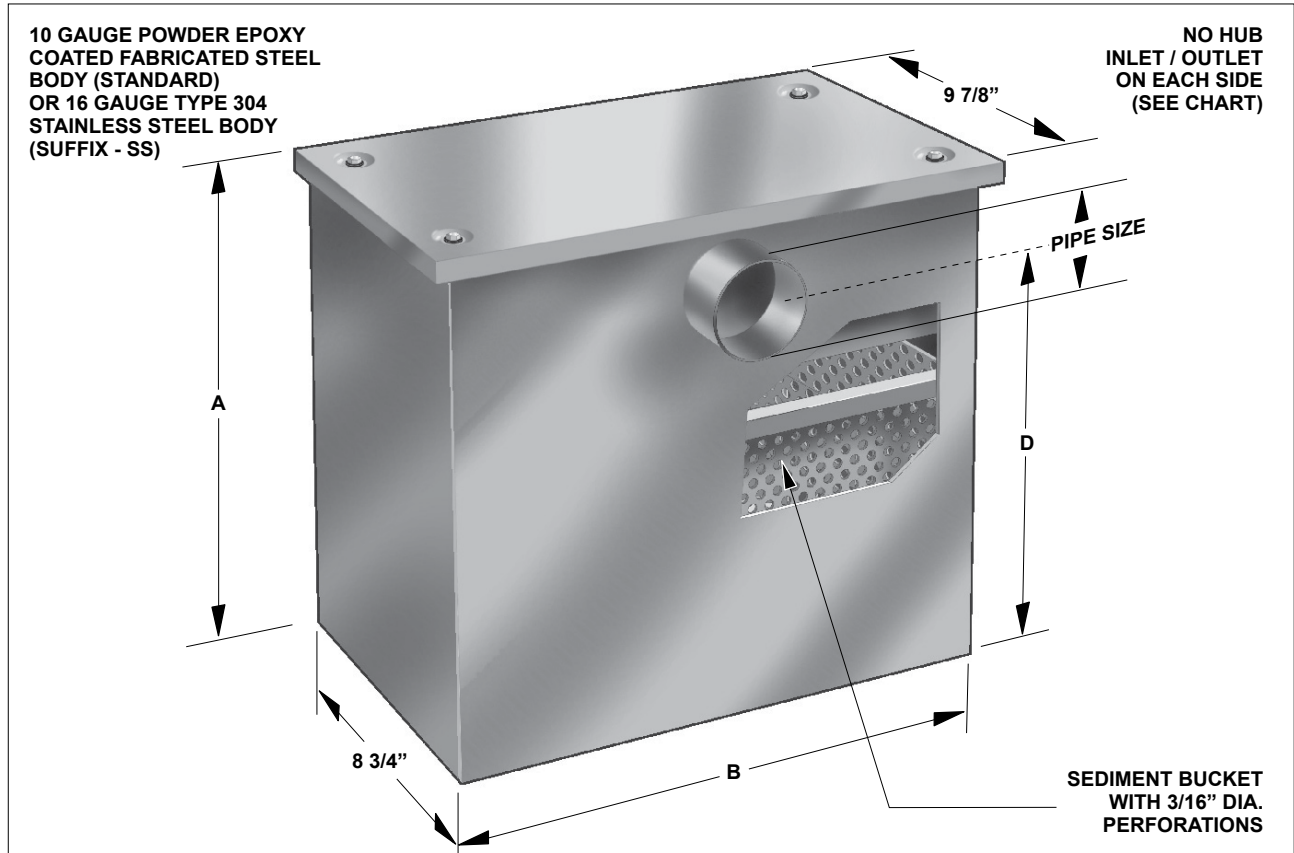


MI-SOLID-TA

**TOP ACCESS
SOLIDS INTERCEPTOR**

Specification: MIFAB® Series MI-SOLID-TA top access powder epoxy coated 10 gauge fabricated steel solids interceptor with internal perforated sediment bucket and gasketed top access lid. Interceptor complete with no hub inlet on one side and no hub outlet on other side for flow through installation.

Function: Typically installed in semi-recessed or on floor installations between the MI-G Series interceptor and the fixtures served. The solids interceptor will filter out solids and sediment from the fixture waste line before entering the related grease interceptor to reduce clogging and improve performance. Interceptor is cleaned by removing gasketed lid and accessing internal sediment bucket.



Note: Minimum of 12" (depending on the Model selected) is required above the lid for easy removal of the sediment bucket.

MODEL NO.	PIPE SIZE	A	B	INLET AND OUTLET D	FLOW RATE GPM	SOLIDS CAPACITY CUBIC FEET	USE WITH MI-G SERIES
MI-SOLID-TA-0	2"	10"	9 7/8"	7 1/4"	4	.20	MI-G-0
MI-SOLID-TA-1	2"	11 1/8"	11 7/8"	8 1/8"	7	.29	MI-G-1
MI-SOLID-TA-2	2"	11 3/4"	14"	8 1/4"	10	.33	MI-G-2
MI-SOLID-TA-3	2"	13 3/8"	16 3/4"	9 3/8"	15	.38	MI-G-3
MI-SOLID-TA-4	3"	15"	17 1/4"	11 3/4"	20	.66	MI-G-4
MI-SOLID-TA-5	3"	17"	19 7/8"	12 7/16"	25	.79	MI-G-5
MI-SOLID-TA-6	3"	18 3/4"	22 1/2"	14 3/16"	35	1.17	MI-G-6
MI-SOLID-TA-7	3"	21 1/2"	22 1/2"	16"	50	1.35	MI-G-7
MI-SOLID-TA-8	4"	22 3/4"	22 1/2"	18 1/2"	75	1.61	XL-MI-G-0

SUFFIX **OPTIONAL VARIATIONS**
 -29 Stainless steel body and lid (Type 316)
 -RB Replacement stainless steel sediment bucket
 -SB Replacement stainless steel sediment bucket

SUFFIX **OPTIONAL VARIATIONS**
 -SS Stainless steel body (Type 304)
 -SSM Stainless steel mesh screen over sediment bucket
 specify Custom sediment bucket (specify material and perforation size)

CALIFORNIA PROPOSITION 65 WARNING. This product contains chemicals known to the State of California to cause cancer and birth defects or other reproductive harm.

Job Name: _____ Page No: _____
 Section No: _____ Contractor: _____
 Schedule No: _____ Purchase Order No: _____