

Location: _____



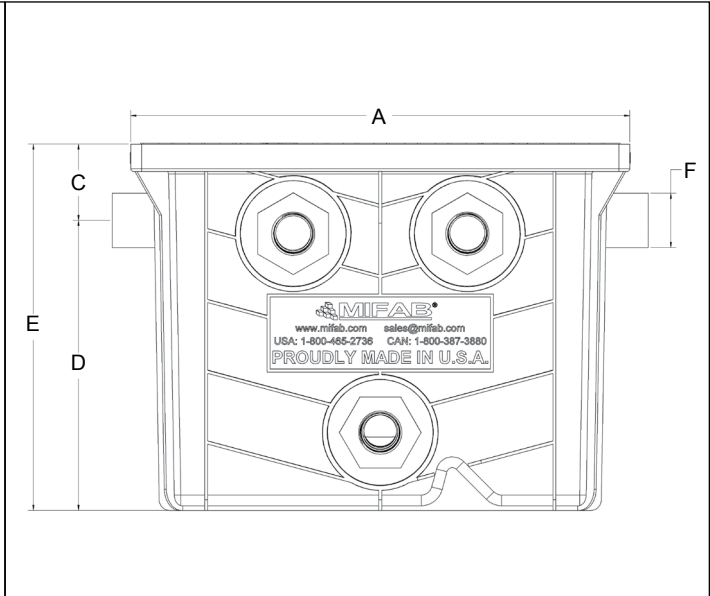
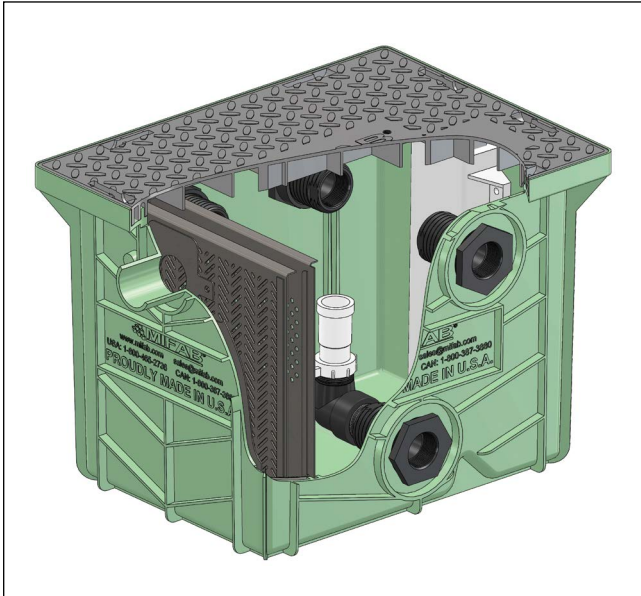
MI-O-PL

**LIL MAX – 10 TO 50 GPM
HDPE OIL INTERCEPTORS**



Specification: MIFAB® Series MI-O-PL HDPE injection molded oil interceptor. Unit to include: sediment bucket with perforated baffle near inlet, deep seal trap covered by lid, sewer gas stopper, securing latches, stainless steel calibrated orifice plate, internal air relief by-pass, adjustable automatic draw-off assembly, double vent connection on each side, and HDPE injection molded, non skid, rectangular gasketed lid(s).

Function: Used in parking garages, service stations, and maintenance areas to receive wastewater that contains oil and sediment. The interceptor collects the oil before it is drained to an adjacent storage tank through an adjustable draw off system. Sediment and debris is collected inside of the internal sediment bucket. Regular maintenance is required to keep the interceptor functioning. Interceptor may be installed on the ground, semi recessed or flush with the floor. Sewer gas stopper prevents foul odors from entering the kitchen area through the interceptor. Simple latch design permits fast and easy removal of the lid for cleaning and maintenance. HDPE injection molded body and lid are covered by a limited lifetime warranty.



MODEL NO.	FLOW RATE (GPM)	A (IN)	B (IN)	C (IN)	D (IN)	E (IN)	F (IN)
MI-O-A-PL	10	23	17.5	3.5	9.75	13.25	2
MI-O-B-PL	15	23	17.5	3.5	13.25	16.75	2
MI-O-C-PL	20	29.5	20.5	3.5	10.75	14.25	3
MI-O-1-PL	25	29.5	20.5	3.5	14.75	18.25	3
MI-O-2-PL	35	33	25.5	5.5	16.75	22.25	3
MI-O-3-PL	50	33	25.5	5.5	18.75	24.25	3

SUFFIX OPTIONAL VARIATIONS

-C Extension "C" as required (fabricated, powder epoxy coated steel)

specify Special size inlet and outlet

SUFFIX OPTIONAL VARIATIONS

-FLC Flow control fitting

-HLA High level alarm

Job Name: _____ Page No: _____
 Section No: _____ Contractor: _____
 Schedule No: _____ Purchase Order No: _____

MIFAB reserves the right to make changes in material and design without formal notice and obligation.

USA: 1-800-465-2736 www.mifab.com CAN: 1-800-387-3880