

Location: \_\_\_\_\_

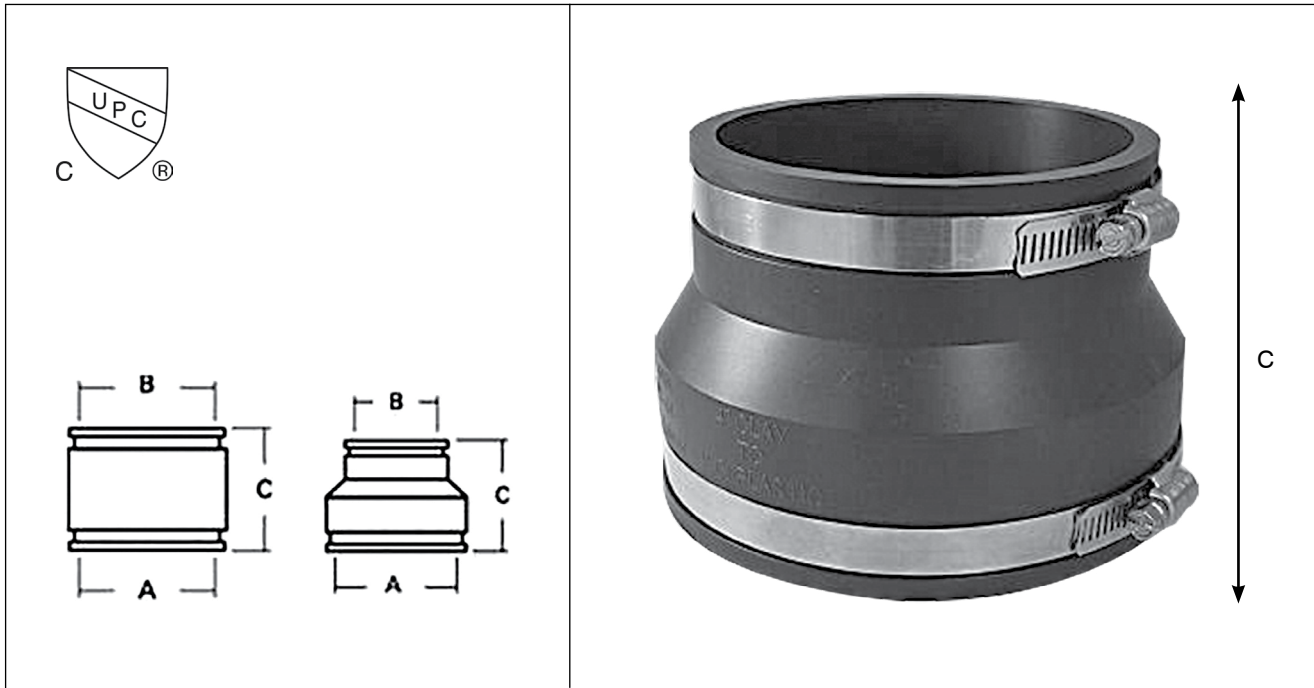


**MI-FLEX-CC**

**FLEXIBLE COUPLINGS –  
CONCRETE TO CI OR PLASTIC**

**Specification:** MIFAB® Series MI-FLEX-CC (specify size) of flexible rubber couplings are manufactured from an elastomeric compound that meets the requirements of ASTM C-564 and 300 Series of stainless steel clamps tightened with 5/16" Type 300 stainless steel hex head screws. The MI-FLEX-CC Series of flexible couplings are tested and certified to ASTM Standard 1173-2010 and CSA Standard B602-2010 and listed with I.A.P.M.O. All models are listed to the National Plumbing Code of Canada and relevant Canadian Standard(s) and bear the cUPC mark of conformity.

**Function:** MIFAB® MI-FLEX-CC Series of flexible rubber couplings are used to connect concrete pipe to cast iron or plastic pipe.



**Note:** Tighten bolts to 60 inch lbs. min. max torque. Tested to maintain 4.3 p.s.i. maximum line pressure (10' head pressure). 5/16" driver required to tighten bolts.

MODEL NUMBER	PIPE SIZE	A		B		C HEIGHT	CARTON QUANTITY	PALLET QUANTITY
		MIN	MAX	MIN	MAX			
MI-FLEX-CC-400	4" Concrete x 4" CI /PL coupling	5.56" (141)	6.27" (159)	4.30" (109)	5.02" (128)	3.95" (100)	60	1,200
MI-FLEX-CC-600	6" Concrete x 6" CI /PL coupling	7.78" (197)	8.49" (215)	6.38" (162)	7.10" (180)	5.81" (148)	20	400
MI-FLEX-CC-640	6" Concrete x 4" CI /PL coupling	7.75" (197)	8.55" (217)	4.31" (109)	5.10" (130)	5.91" (150)	20	500

CALIFORNIA PROPOSITION 65 WARNING. This product contains chemicals known to the State of California to cause cancer and birth defects or other reproductive harm.

Job Name: \_\_\_\_\_ Page No: \_\_\_\_\_  
 Section No: \_\_\_\_\_ Contractor: \_\_\_\_\_  
 Schedule No: \_\_\_\_\_ Purchase Order No: \_\_\_\_\_