

Location: _____



MI-EC-HB

END CAP WITH HOSE BIBB

Specification: MIFAB® Series MI-EC-HB (specify size) of flexible rubber end caps with hose bibb manufactured from an elastomeric compound that meets the requirements of ASTM C-564 with inside knurling for superior pipe grip and Type 300 Series of stainless steel clamp tightened with 5/16" Type 300 stainless steel hex head screw. Non constant temperature rating is 140 F.

Function: Used to cap pipe ends, cleanouts and open pipes. They are suitable for above ground or underground use on cast iron, steel, PVC or ABS pipes. Hose bibb provides a water supply.

Material Specifications:

Bands – Type 300 AISI stainless steel (Minimum tensile 165,000 psi).

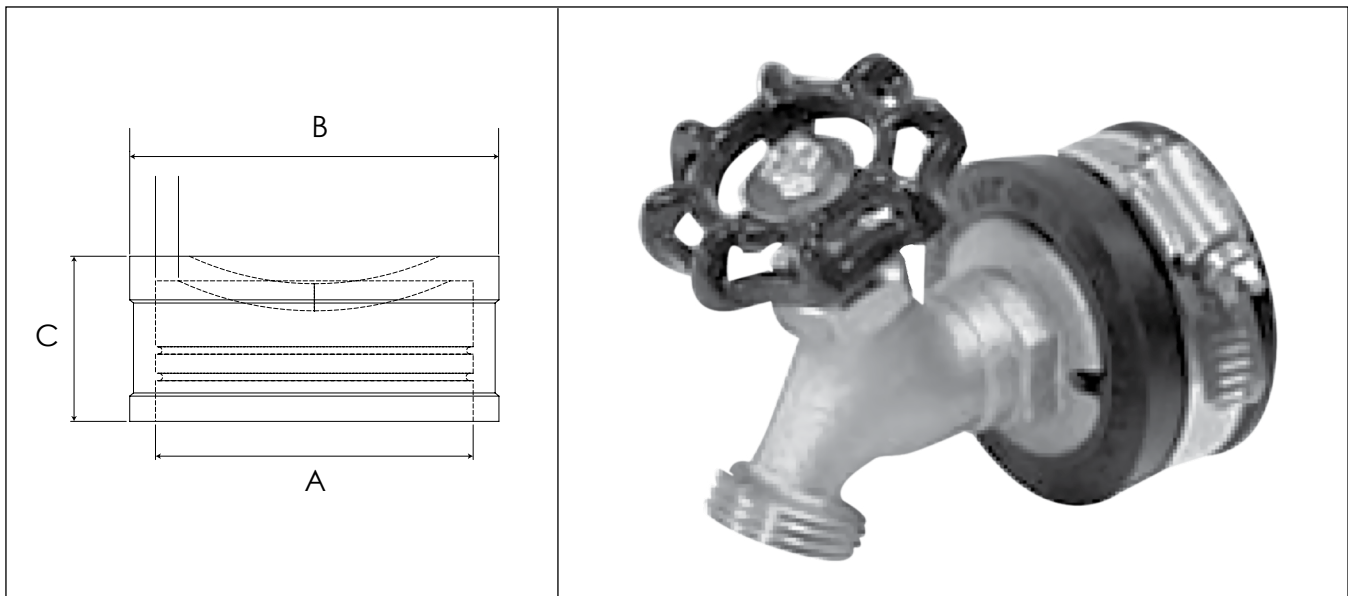
Gasket – Elastomeric compound that meets the requirements of ASTM C-564.

Screw Housing – Type 300 AISI stainless steel.

Screw – Type 300 AISI stainless steel, 5/16" Hex head / Shoulder.

Performance Specifications:

- Tested to maintain 4.3 psi of water pressure (typical 10' head).
- Requires a 5/16" hex head driver to tighten screw head to a minimum of 60 pounds.



MODEL NUMBER	PIPE SIZE	A WIDTH	B WIDTH	C HEIGHT
MI-EC-150-HB	1 1/2"	1.61" (41)	1.95" (50)	1.15" (29)
MI-EC-200-HB	2"	1.94" (49)	2.48" (63)	1.25" (32)
MI-EC-300-HB	3"	3.09" (79)	3.63" (92)	1.39" (35)
MI-EC-400-HB	4"	3.96" (101)	4.60" (117)	1.65" (42)
MI-EC-500-HB	5"	5.03" (128)	5.85" (149)	2.09" (53)
MI-EC-600-HB	6"	5.73" (146)	6.62" (168)	2.20" (56)

CALIFORNIA PROPOSITION 65 WARNING. This product contains chemicals known to the State of California to cause cancer and birth defects or other reproductive harm.

Job Name: _____ Page No: _____
 Section No: _____ Contractor: _____
 Schedule No: _____ Purchase Order No: _____

MIFAB reserves the right to make changes in material and design without formal notice and obligation.

USA: 1-800-465-2736 www.mifab.com CAN: 1-800-387-3880