

Location: \_\_\_\_\_

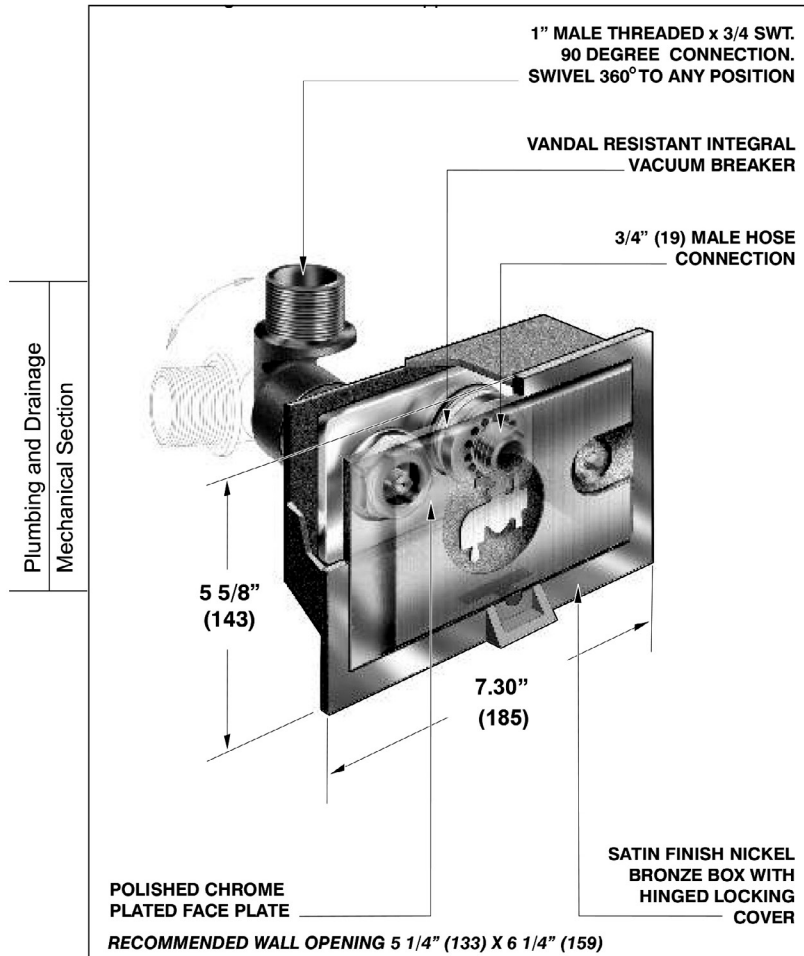


**MHY-55**

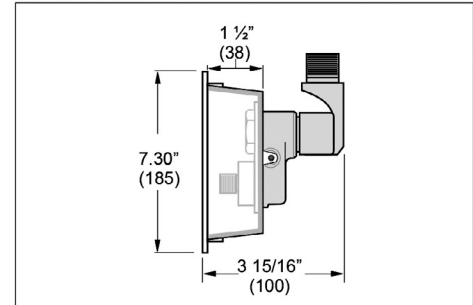
**ENCASED LOW LEAD MODERATE CLIMATE NARROW WALL HYDRANT**

**Specification:** MIFAB® Series MHY-55 self draining, low lead, moderate climate narrow wall hydrant with A.S.S.E. 1011 certified antisiphon vandal resistant vacuum breaker. Operating key furnished with each hydrant.

**Function:** Designed for commercial applications in moderate climate areas to fit within a 4" (102) wall.



Overhead view



**MHY-55 SERIES FEATURES:**

- **INTERNAL COMPONENTS** - hardened bronze operating stem and one piece neoprene plunger.
- **VACUUM BREAKER** - unique self draining vandal resistant integral vacuum breaker protects from anti-siphon conditions.
- **FACE PLATE** - polished chrome plated.
- **WATER SUPPLY CONNECTION** - swivel 360° to any position.
- **APPROVALS** - MHY-55 wall hydrant is listed with I.A.P.M.O. and manufactured with an anti-siphon vacuum breaker that is tested and certified to the A.S.S.E. Standard 1011.



\*Maximum static operating pressure is 125 PSI and minimum running pressure is 8 PSI

The wetted surface contacted by consumable water contains less than one quarter of one percent (0.25%) of lead by weight.

MODEL NO.	OVER LENGTH		APPROXIMATE WEIGHT		SWIVEL INLET CONNECTION
	IN	MM	Lbs.	Kgs.	IN
MHY-55	3 15/16	100	2	0.9	1" MALE THREADED X 3/4" SWT.

**SUFFIX OPTIONAL VARIATIONS**

- BA Buy American Act compliant product
- DVB Chrome Plated Double Check Vacuum Breaker (MHY-9006-CP) (tested and certified to the ASSE 1052 Standard)
- K Cylinder key lock
- PA Pennsylvania Steel Act compliant product
- RB Fabricated stainless steel hydrant box with round back for tilt up construction (MHY-3-RB- 5 7/8" round back with 2" x 3.81" rectangular opening to receive hydrant).

**SUFFIX OPTIONAL VARIATIONS**

- S Four 1" x 1 1/4" (25 x 6) slots on top and two sides of box to receive mounting brackets
- WC Wall clamp
- 0 1" (25) Hose connection
- 3 Cast stainless steel hydrant box
- 49 Polished chrome plated nickel bronze box

**(Dimensions) Donates Millimeters**

CALIFORNIA PROPOSITION 65 WARNING. This product contains chemicals known to the State of California to cause cancer and birth defects or other reproductive harm.

Job Name: \_\_\_\_\_

Page No: \_\_\_\_\_

Section No: \_\_\_\_\_

Contractor: \_\_\_\_\_

Schedule No: \_\_\_\_\_

Purchase Order No: \_\_\_\_\_