

Location: _____

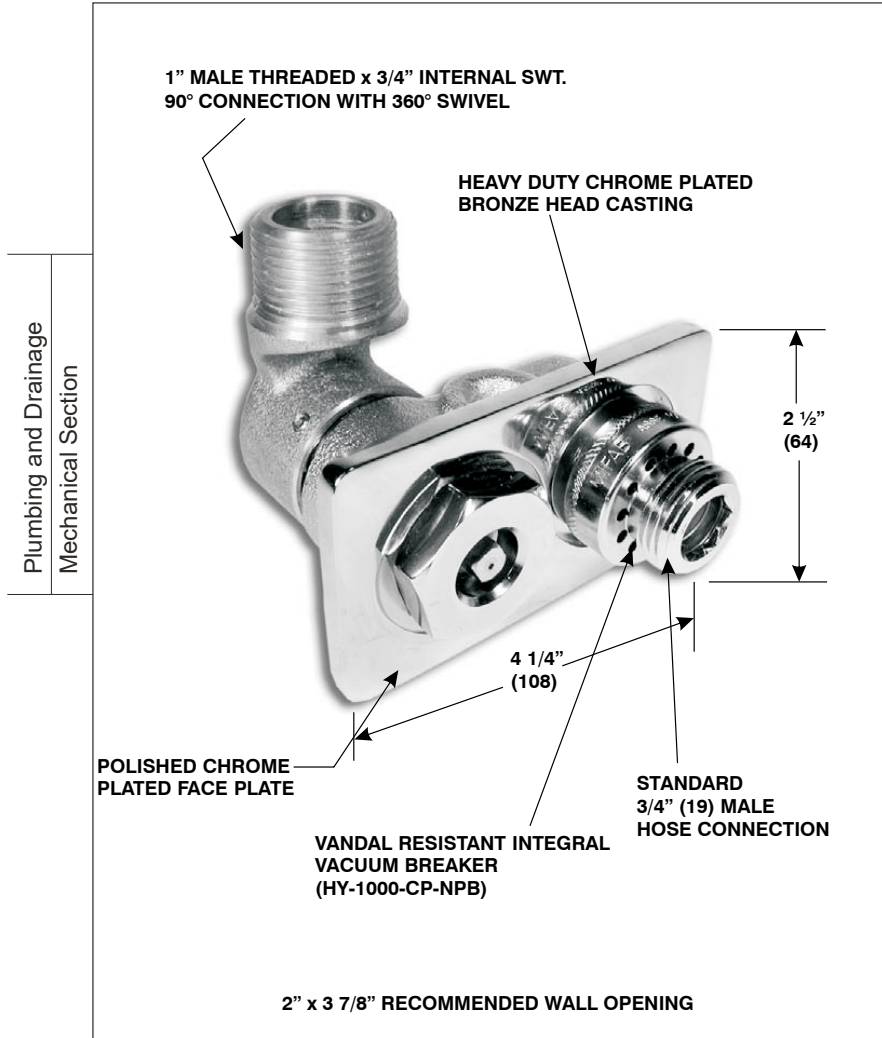


MHY-50

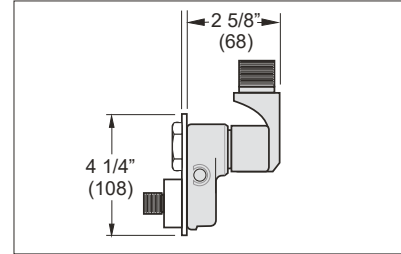
LOW LEAD MODERATE CLIMATE NARROW WALL HYDRANT

Specification: MIFAB® Series MHY-50 self draining, low lead, moderate climate narrow wall hydrant with A.S.S.E. 1011 certified antisiphon vandal resistant vacuum breaker. Operating key furnished with each hydrant.

Function: Designed for commercial applications in moderate climate areas to fit within a 4" (102) wall.



Overhead view



MHY-50 SERIES FEATURES:

- **INTERNAL COMPONENTS** - hardened bronze operating stem and one piece neoprene plunger.
- **VACUUM BREAKER** - unique self draining vandal resistant integral vacuum breaker protects from anti-siphon conditions.
- **FACE PLATE** - polished chrome plated.
- **WATER SUPPLY CONNECTION** - swivel 360° to any position.
- **APPROVALS** - MHY-50 wall hydrant is listed with I.A.P.M.O. and manufactured with an anti-siphon vacuum breaker that is tested and certified to the A.S.S.E. Standard 1011.



The wetted surface contacted by consumable water contains less than one quarter of one percent (0.25%) of lead by weight.

MODEL NO.	OVER LENGTH		APPROXIMATE WEIGHT		SWIVEL INLET CONNECTION
	IN	MM	Lbs.	Kgs.	IN
MHY-50	2 5/8	68	1	0.5	3/4" SWT, 1" M.I.P.

SUFFIX OPTIONAL VARIATIONS

- BA Buy American Act compliant product
- PA Pennsylvania Steel Act compliant product
- 0 1" (25) Hose connection

(Dimensions) Donates Millimeters

CALIFORNIA PROPOSITION 65 WARNING. This product contains chemicals known to the State of California to cause cancer and birth defects or other reproductive harm.

Job Name: _____ Page No: _____
 Section No: _____ Contractor: _____
 Schedule No: _____ Purchase Order No: _____