

Location: _____

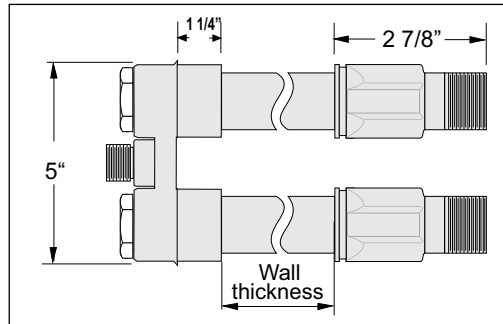
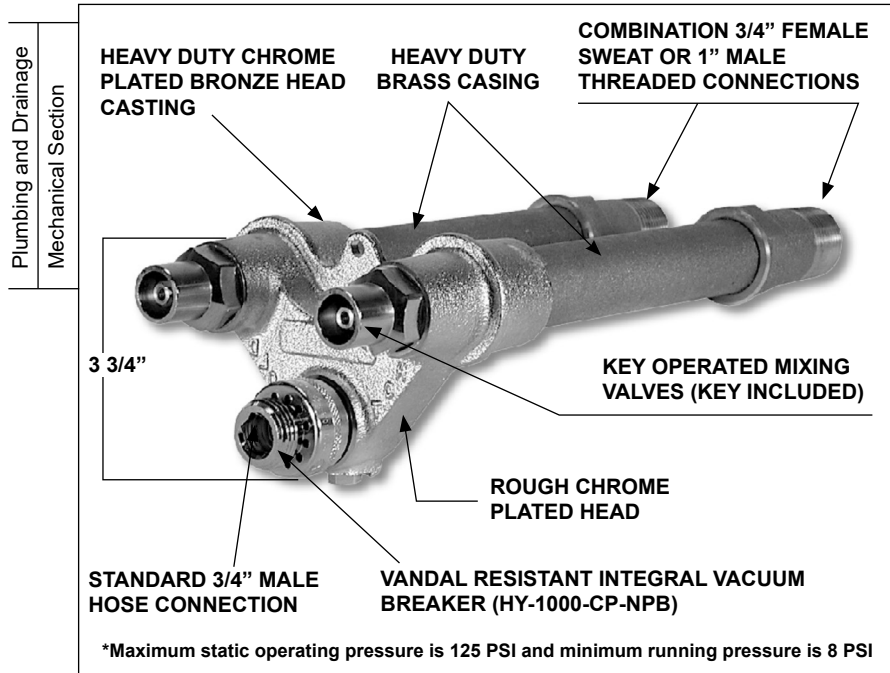


MHY-40

**HOT AND COLD NON FREEZE
WALL HYDRANT**

Specification: MIFAB® Series MHY-40 A.S.S.E. 1019-B approved exposed type, self draining, non freeze hot and cold wall hydrant with A.S.S.E. 1011 approved anti-siphon integral vacuum breaker with 3/4" male hose connection. Hydrant assembly complete with hot and cold temperature control selection, one piece neoprene plunger to control the flow, hardened bronze operating stem, heavy duty brass casing, heavy duty chrome plated bronze head casing and chrome plated face plate. Loose tee key to be furnished with each hydrant.

Function: Designed to blend in with commercial applications such as office buildings, apartment complexes, malls and shopping centers, schools, churches and industrial buildings.



- MIFAB® MHY-40 Series Features**
- **Internal Components** - hardened brone operating stem and one piece neoprene plunger.
 - **Vacuum Breaker** - integral vacuum breaker protects owner from anti-siphon conditions. Self draining.
 - **Face plate** - chrome plated.
 - **Casing** - heavy duty brass.
 - **Approvals** - MHY-40 series wall hydrant is tested and certified to the A.S.S.E. Standard 1019-B and listed by I.A.P.M.O. The anti-siphon vaccum breaker is tested and certified to the A.S.S.E. Standard 1011 and listed by I.A.P.M.O.

MODEL NO.	WALL THICKNESS		OVERALL LENGTH		APPROXIMATE WEIGHT/Lbs.		INLET CONNECTION
	IN	MM	IN	MM	Lbs.	Kg.	
MHY-40-4	4	102	11	279	4	1.81	3/4" Female Sweat, 1" Male IPS combination
MHY-40-6	6	152	13	330	7.54	3.42	3/4" Female Sweat, 1" Male IPS combination
MHY-40-8	8	203	15	381	8.26	3.74	3/4" Female Sweat, 1" Male IPS combination
MHY-40-10	10	254	17	432	8.98	4.10	3/4" Female Sweat, 1" Male IPS combination
MHY-40-12	12	305	19	483	9.70	4.39	3/4" Female Sweat, 1" Male IPS combination
MHY-40-14	14	356	22	559	10.42	4.72	3/4" Female Sweat, 1" Male IPS combination
MHY-40-16	16	406	23	584	11.14	5.05	3/4" Female Sweat, 1" Male IPS combination
MHY-40-18	18	457	25	635	11.86	5.38	3/4" Female Sweat, 1" Male IPS combination
MHY-40-20	20	508	27	686	12.58	5.70	3/4" Female Sweat, 1" Male IPS combination
MHY-40-24	24	610	31	787	14.02	6.35	3/4" Female Sweat, 1" Male IPS combination

SUFFIX OPTIONAL VARIATIONS

- 0 1" (25) Hose connection
- 6 3/4" (19) I.P.S. 90 degree elbow and union nut Wall clamp
- BA Buy American Act compliant product
- PA Pennsylvania Steel Act compliant product
- WC Wall clamp



(Dimensions) Denotes Millimeters

CALIFORNIA PROPOSITION 65 WARNING. This product contains chemicals known to the State of California to cause cancer and birth defects or other reproductive harm.

Job Name: _____ Page No: _____
 Section No: _____ Contractor: _____
 Schedule No: _____ Purchase Order No: _____