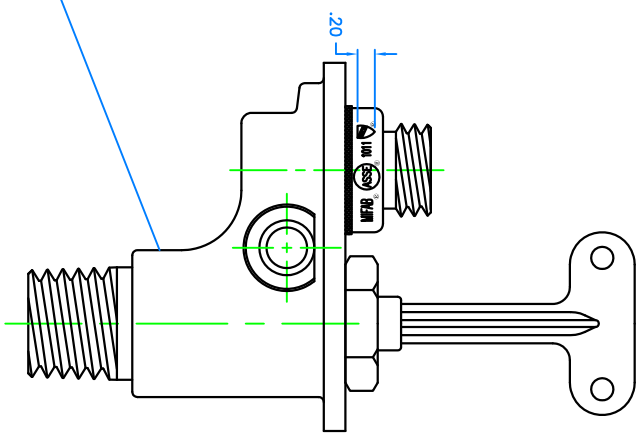
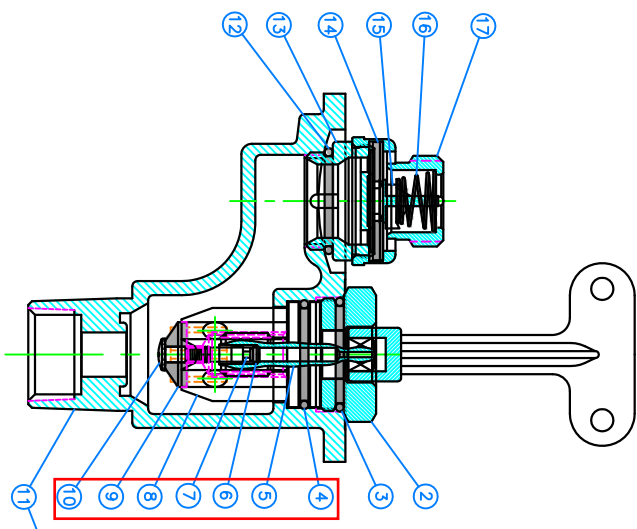


4

3

2

1



.125H X .01 DP
RECESSED LETTERS
POSITION AS SHOWN

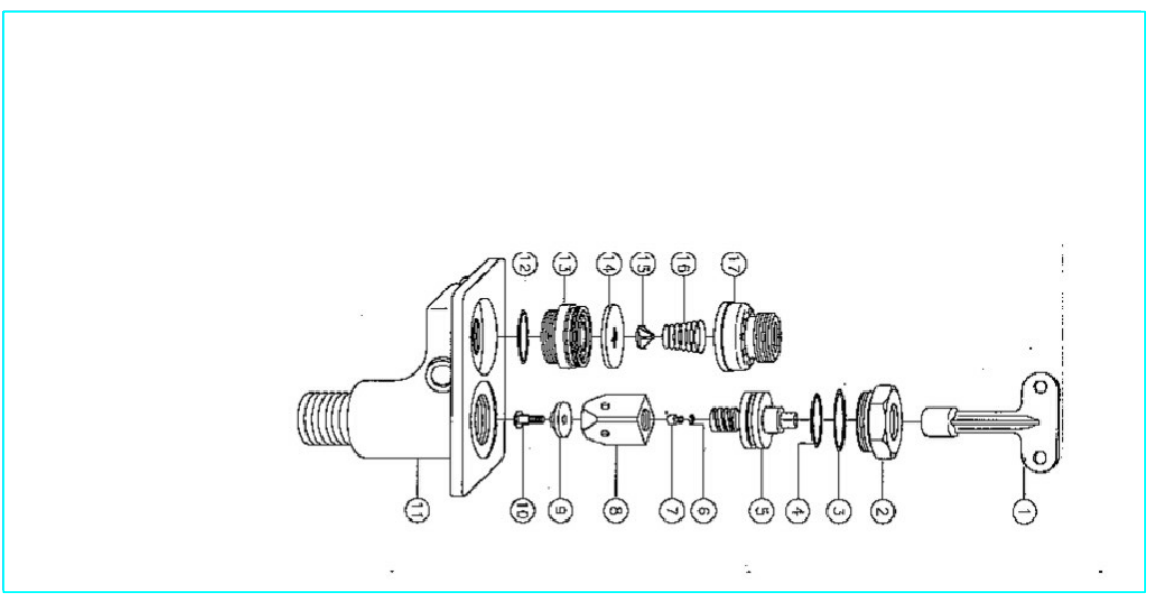
.1H X .01 DP
RECESSED LETTERS
POSITION AS SHOWN

ADDITIONAL WRAP AROUND
TEXT TO READ AS FOLLOWS:



NO#	PART	DRAWING#
1.	T-HANDLE	MHY-T-HANDLE
2.	HEAD NUT	MHY-30-HEAD NUT
3.	HEAD NUT & WORM O-RING	MHY-30-HEAD NUT & WORM O-RING
4.	HEAD NUT & WORM O-RING	MHY-30-HEAD NUT & WORM O-RING
5.	WORM	MHY-30-WORM
6.	VENT PIN O-RING	MHY-30-VENT PIN O-RING
7.	VENT PIN	MHY-30-VENT PIN
8.	PLUNGER BODY	MHY-30-PLUNGER BODY
9.	PLUNGER TIP	MHY-30-PLUNGER TIP
10.	PLUNGER TIP SCREW	MHY-30-PLUNGER TIP SCREW
11.	BODY	MHY-30-BODY
12.	VACUUM BREAKER O-RING	MHY-30-VACUUM BREAKER O-RING
13.	VACUUM BREAKER BASE	MHY-30-VACUUM BREAKER BASE
14.	VACUUM BREAKER DISC	MHY-30-VACUUM BREAKER DISC
15.	VACUUM BREAKER SPRING SEAT	MHY-30-VACUUM BREAKER SPRING SEAT
16.	VACUUM BREAKER SPRING	MHY-30-VACUUM BREAKER SPRING
17.	VACUUM BREAKER BODY	MHY-30-VACUUM BREAKER BODY

MHY-
CIA-30/50



ZONE	REV	DESCRIPTION	DATE	APPROVED
ALL	0	RELEASE	3-9-2009	AB

REFERENCES
(UNLESS OTHERWISE SPECIFIED)

XX ± .XX
XXX ± .XXX
L ± .1"

TYP. DRAFT ANGLE = Z

DRAWN BY DLJ

APPROVED BY J BOPP



MODERATE CLIMATE WALL HYDRANT

SIZE COLOR/FINISH
C
SCALE 1:1
MATERIAL
MFG NO.
MHY-30-ASSY
SHEET 1 OF 1
REV 0

4

3

2

1