

Location: \_\_\_\_\_

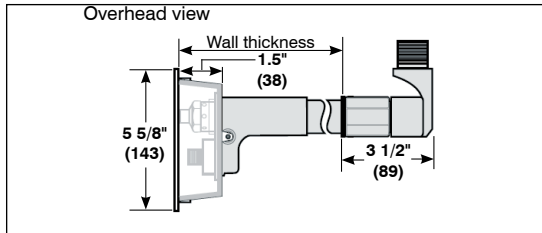
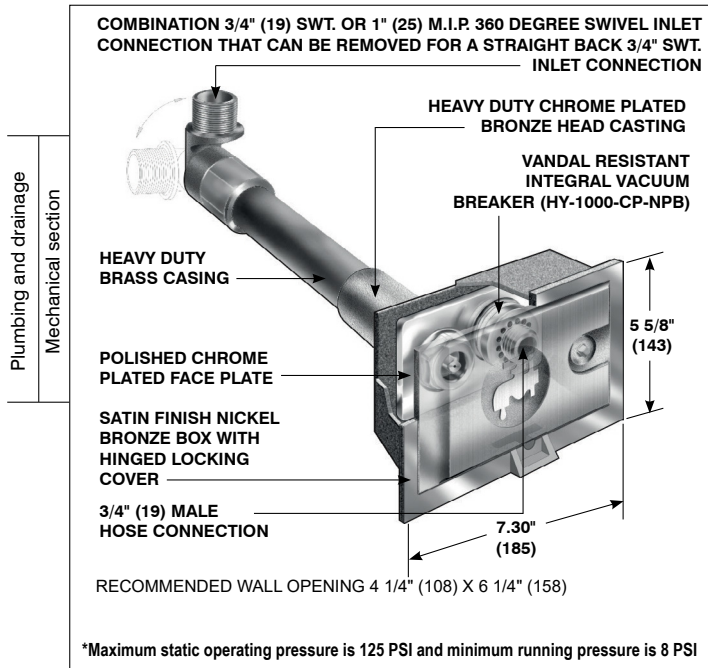


**MHY-25**

**ENCASED NON FREEZE  
LOW LEAD WALL HYDRANT**

**Specification:** MIFAB® Series MHY-25 \_\_\_\_\_ (specify length) A.S.S.E. 1019-B certified exposed type, self draining, non freeze low lead wall hydrant with A.S.S.E. 1011 approved anti-siphon and vandal resistant integral vacuum breaker with 3/4" (19) male hose connection. Hydrant assembly complete with neoprene plunger to control both the flow and drain functions, hardened bronze operating stem, drain port under the hexagon nut, heavy duty brass casing, 360 degree swivel inlet connection, heavy duty chrome plated bronze head casting, polished chrome plated face plate, and satin finished nickel bronze box with hinged locking cover. Operating key to be furnished with each hydrant.

**Function:** Designed to blend in with commercial applications such as office buildings, apartment complexes, malls and shopping centers, schools, churches and industrial buildings.



**MHY-25 SERIES FEATURES:**

- **SWIVEL CONNECTION** - 360 degree combination 3/4" SWT. and 1" male threaded Inlet connection. Swivel connection can be removed for 3/4" SWT. straight back inlet connection.
- **VACUUM BREAKER** - unique vandal resistant integral vacuum breaker protects owner from anti-siphon conditions. Self draining.
- **FACE PLATE** - polished chrome plated.
- **HYDRANT BOX** - satin finished nickel bronze.
- **CASING** - heavy duty brass casing tube.
- **APPROVALS** - MHY-25 Series wall hydrant is tested and certified by C.S.A. to the A.S.S.E. Standard 1019-B. The anti-siphon vacuum breaker is tested and certified by C.S.A. to the A.S.S.E. Standard 1011.



*The wetted surface contacted by consumable water contains less than one quarter of one percent (0.25%) of lead by weight.*

MODEL NO.	WALL THICKNESS		OVER LENGTH		APPROXIMATE WEIGHT		SWIVEL INLET CONNECTION
	IN	MM	IN	MM	Lbs.	Kgs.	IN
MHY-25-6	6	152	10	254	7.0	3.18	3/4" SWT., 1" Male IPS combination
MHY-25-8	8	203	12	305	7.5	3.41	3/4" SWT., 1" Male IPS combination
MHY-25-10	10	254	14	356	8.0	3.64	3/4" SWT., 1" Male IPS combination
MHY-25-12	12	305	16	406	8.5	3.86	3/4" SWT., 1" Male IPS combination
MHY-25-14	14	356	18	457	9.0	4.09	3/4" SWT., 1" Male IPS combination
MHY-25-16	16	406	20	508	9.5	4.32	3/4" SWT., 1" Male IPS combination
MHY-25-18	18	457	22	559	10.0	4.54	3/4" SWT., 1" Male IPS combination
MHY-25-20	20	508	24	610	10.5	4.77	3/4" SWT., 1" Male IPS combination
MHY-25-22	22	559	26	660	11.0	5.00	3/4" SWT., 1" Male IPS combination
MHY-25-24	24	610	28	711	11.5	5.22	3/4" SWT., 1" Male IPS combination

**SUFFIX OPTIONAL VARIATIONS**

- BA Buy American Act compliant product
- DVB Chrome Plated Double Check Vacuum Breaker (MHY-9006-CP)
- K Cylinder key lock
- PA Pennsylvania Steel Act compliant product
- RB Fabricated stainless steel hydrant box with round back for tilt up construction (MHY-3-RB- 5 7/8" round back with 2" x 3.81" rectangular opening to receive hydrant).

**SUFFIX OPTIONAL VARIATIONS**

- S Four 1" x 1 1/4" (25 x 6) slots on top and two sides of box to receive mounting brackets
- WC Wall clamp
- 0 1" (25) Hose connection
- 3 Cast stainless steel hydrant box
- 49 Polished chrome plated nickel bronze box

CALIFORNIA PROPOSITION 65 WARNING. This product contains chemicals known to the State of California to cause cancer and birth defects or other reproductive harm.

Job Name: \_\_\_\_\_

Page No: \_\_\_\_\_

Section No: \_\_\_\_\_

Contractor: \_\_\_\_\_

Schedule No: \_\_\_\_\_

Purchase Order No: \_\_\_\_\_