

Location: \_\_\_\_\_

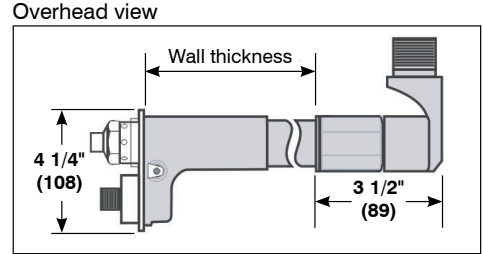
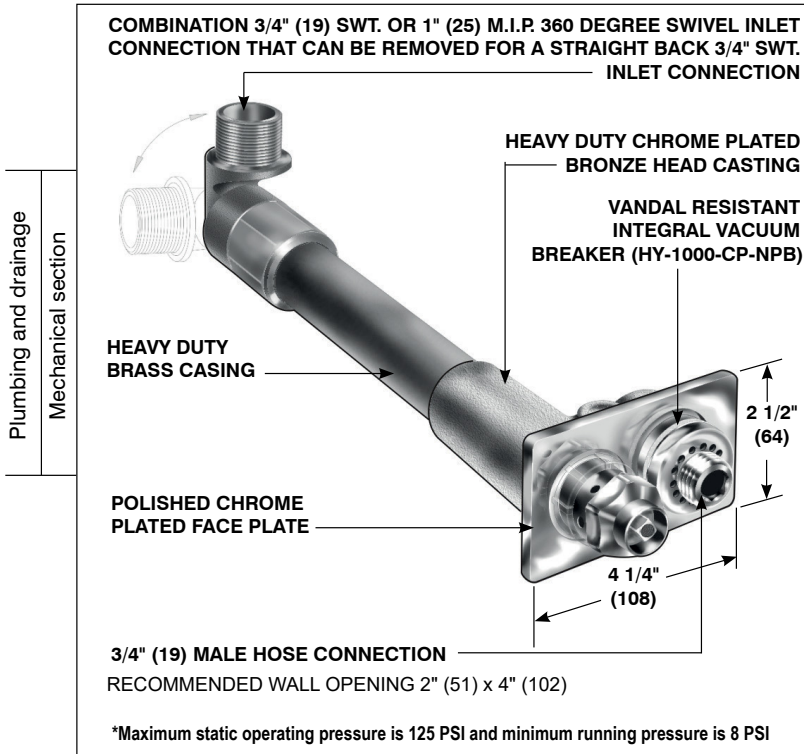


**MHY-10**

**LOW LEAD NON FREEZE WALL HYDRANT**

**Specification:** MIFAB® Series MHY-10 \_\_\_\_ (specify length) A.S.S.E. 1019-B certified exposed type, self draining, non freeze low lead, wall hydrant with A.S.S.E. 1011 approved anti-siphon and vandal resistant integral vacuum breaker with 3/4" (19) male hose connection. Hydrant assembly complete with neoprene plunger to control both the flow and drain functions, hardened bronze operating stem, drain port under the hexagon nut, heavy duty brass casing, 360 degree swivel inlet connection, heavy duty chrome plated bronze head casting and polished chrome plated face plate. Operating key to be furnished with each hydrant.

**Function:** Designed to blend in with commercial applications such as office buildings, apartment complexes, malls and shopping centers, schools, churches and industrial buildings



**MHY-10 SERIES FEATURES:**

- **SWIVEL CONNECTION** - 360 degree combination 3/4" SWT. and 1" M.I.P. Inlet connection. Swivel connection can be removed for 3/4" SWT. straight back inlet connection.
- **VACUUM BREAKER** - unique self draining vandal resistant integral vacuum breaker protects from anti-siphon conditions.
- **FACE PLATE** - polished chrome plated.
- **CASING** - heavy duty brass casing.
- **APPROVALS** - MHY-10 Series wall hydrant is tested and certified by the A.S.S.E. Standard 1019-B and listed by I.A.P.M.O. The anti-siphon vacuum breaker is tested and certified to the A.S.S.E. Standard 1011 and listed by I.A.P.M.O.



*The wetted surface contacted by consumable water contains less than one quarter of one percent (0.25%) of lead by weight.*

MODEL NO.	WALL THICKNESS		OVER LENGTH		APPROXIMATE WEIGHT		SWIVEL INLET CONNECTION
	IN	MM	IN	MM	Lbs.	Kgs.	IN
MHY-10-4	4	102	8	203	4.7	2.13	3/4" SWT., 1" Male IPS Connection
MHY-10-6	6	152	10	254	5.3	2.41	3/4" SWT., 1" Male IPS Connection
MHY-10-8	8	203	12	306	6.0	2.72	3/4" SWT., 1" Male IPS Connection
MHY-10-10	10	254	14	357	6.7	3.04	3/4" SWT., 1" Male IPS Connection
MHY-10-12	12	305	16	406	7.3	3.31	3/4" SWT., 1" Male IPS Connection
MHY-10-14	14	356	18	457	8.0	3.63	3/4" SWT., 1" Male IPS Connection
MHY-10-16	16	406	20	508	9.0	4.09	3/4" SWT., 1" Male IPS Connection
MHY-10-18	18	457	22	559	10.0	4.54	3/4" SWT., 1" Male IPS Connection
MHY-10-20	20	508	24	610	10.7	4.86	3/4" SWT., 1" Male IPS Connection
MHY-10-22	22	559	26	660	11.3	5.13	3/4" SWT., 1" Male IPS Connection
MHY-10-24	24	610	28	711	12.0	5.45	3/4" SWT., 1" Male IPS Connection

**SUFFIX OPTIONAL VARIATIONS**

- 0 1" (25) Hose connection
- 52 A.S.S.E. 1052 double check vacuum breaker
- WC Wall clamp

**SUFFIX OPTIONAL VARIATIONS**

- DVB Chrome Plated Double Check Vacuum Breaker (MHY-9006-CP)
- BA Buy American Act compliant product
- PA Pennsylvania Steel Act compliant product

CALIFORNIA PROPOSITION 65 WARNING. This product contains chemicals known to the State of California to cause cancer and birth defects or other reproductive harm.

Job Name: \_\_\_\_\_  
 Section No: \_\_\_\_\_  
 Schedule No: \_\_\_\_\_

Page No: \_\_\_\_\_  
 Contractor: \_\_\_\_\_  
 Purchase Order No: \_\_\_\_\_