

Location: \_\_\_\_\_



**MDW**

**DRYWALL BEAD ACCESS DOOR**

**Specification:** MIFAB® Series MDW access door is designed for installation after the drywall has been applied and when a concealed outer flange is required. The outer frame has a galvanized drywall taping bead. Drywall cement can be applied over the beading at the same time as the wallboard joints and corners. Only the door is visible. It has a unique white finish.

**Material:** MDW Series is 16 gage satin coat steel door and 16 gage satin coat steel frame. The MDWSS Stainless Steel Series is 16 gage #304 stainless steel door and frame.

**Finish:** Satin coat steel doors have a primed white finish. Stainless steel doors have a #4 brush satin finish.

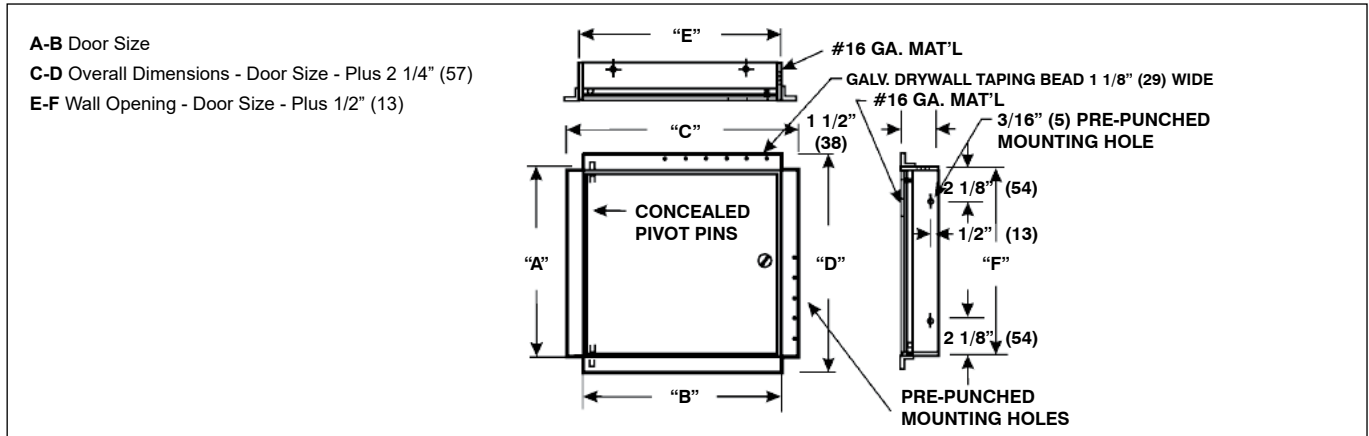
**Door:** Flush to frame. Turned back around edges for extra rigidity.

**Frame:** Drywall taping bead on all sides.

**Hinge:** Concealed pivot pins.

**Latch:** Standard – Flush mounted, screwdriver operated cam. Optional – Allen key, cylinder key, paddle latch, or vandal resistant latch. All of MIFAB’s cylinder key locks are keyed alike.

**Packaging:** Individual pack.



| "B" x "A" | WALL OPENING      | SHIP WEIGHT (Lbs.) | LATCHES | MILD STEEL MODEL # | STAINLESS STEEL MODEL # |
|-----------|-------------------|--------------------|---------|--------------------|-------------------------|
| 8" x 8"   | 8 3/8" x 8 3/8"   | 3.5                | 1       | MDW0808            | MDWSS0808               |
| 10" x 10" | 10 3/8" x 10 3/8" | 4.5                | 1       | MDW1010            | MDWSS1010               |
| 12" x 12" | 12 3/8" x 12 3/8" | 6.0                | 1       | MDW1212            | MDWSS1212               |
| 14" x 14" | 14 3/8" x 14 3/8" | 7.0                | 1       | MDW1414            | MDWSS1414               |
| 16" x 16" | 16 3/8" x 16 3/8" | 8.0                | 1       | MDW1616            | MDWSS1616               |
| 18" x 18" | 18 3/8" x 18 3/8" | 12.0               | 3       | MDW1818            | MDWSS1818               |
| 22" x 22" | 22 3/8" x 22 3/8" | 14.0               | 3       | MDW2222            | MDWSS2222               |
| 24" x 24" | 24 3/8" x 24 3/8" | 17.5               | 3       | MDW2424            | MDWSS2424               |
| 24" x 36" | 24 3/8" x 36 3/8" | 21                 | 5       | MDW2436            | MDWSS2436               |
| 30" x 30" | 30 3/8" x 30 3/8" | 22                 | 5       | MDW3030            | MDWSS3030               |
| 36" x 36" | 36 3/8" x 36 3/8" | 32                 | 5       | MDW3636            | MDWSS3636               |

| SUFFIX | OPTIONAL VARIATIONS                                 |
|--------|---|
| -A     | Allen key lock                                      |
| -BA    | Buy American Act compliant product                  |
| -C     | Cylinder key lock                                   |
| -PA    | Pennsylvania Steel Act compliant product            |
| -PL    | Paddle latch  |
| -VP    | Vandal resistant hardware (VP Screwdriver included) |
| -WR    | Water Resistant                                     |

(Dimension) Denotes Millimetres

**NOTE:** The hinge is always furnished on the "A" or height (longer) dimension, unless otherwise specified.

CALIFORNIA PROPOSITION 65 WARNING. This product contains chemicals known to the State of California to cause cancer and birth defects or other reproductive harm.

Job Name: \_\_\_\_\_ Page No: \_\_\_\_\_  
 Section No: \_\_\_\_\_ Contractor: \_\_\_\_\_  
 Schedule No: \_\_\_\_\_ Purchase Order No: \_\_\_\_\_