

Location: _____

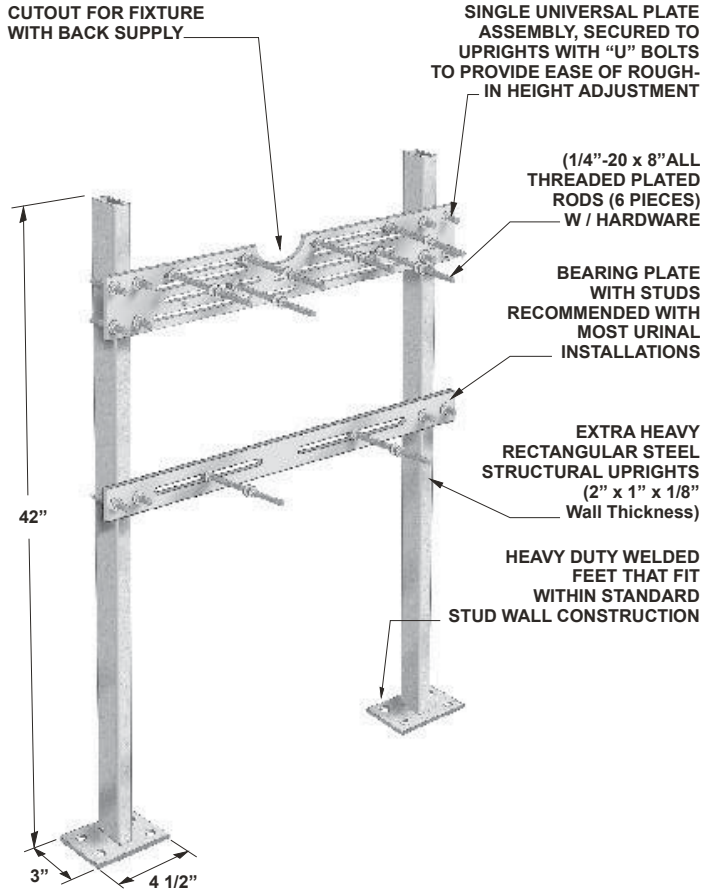


MC-32

HANGER PLATE CARRIER WITH BEARING PLATE AND TWO UPRIGHTS

Specification: MIFAB® Series MC-32 hanger plate carrier with universal, adjustable, top support plate and bottom bearing plate. Complete with lacquered 2" x 1" x 1/8" thick structural steel uprights with 3" x 4 1/2" welded steel feet and mounting hardware.

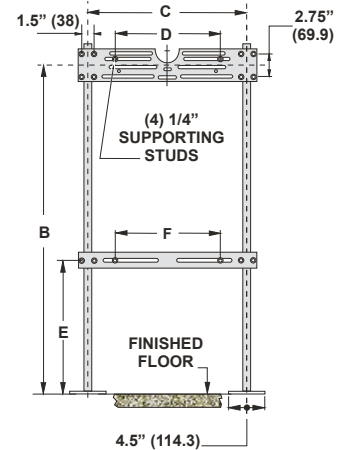
Function: Used to support wall-hung fixtures such as urinals and water coolers that are independent of the wall. Bottom bearing plate provides extra support for the fixture. Designed for use in conjunction with the fixture hangar plate supplied by the fixture manufacturer.



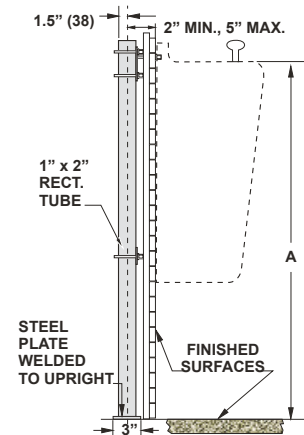
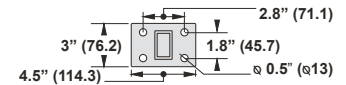
MC-32 Series Meets ANSI/ASME fixture carrier standard A112.6.1M-97

NOTE: FOOT SUPPORTS SHOULD BE SECURELY ANCHORED TO FLOOR WITH 1/2" (13) BOLTS AND ANCHORS BY OTHERS.

Note: See the various fixture dimensional rough-in guides on the www.mifab.com website.



BASE DETAIL



SUFFIX	OPTIONAL VARIATIONS
-A	Stud length over 8" (specify)
-B	Floor to ceiling uprights
-BA	Buy American Act compliant product
-C	Two hanger plates (three uprights for corner mounted lavatory)
-HDH	Heavy duty hanger
-PA	Pennsylvania Steel Act compliant product
-PFAB	Prefabricated carrier
-20	Flush valve support

CALIFORNIA PROPOSITION 65 WARNING. This product contains chemicals known to the State of California to cause cancer and birth defects or other reproductive harm.

Job Name: _____ Page No: _____
 Section No: _____ Contractor: _____
 Schedule No: _____ Purchase Order No: _____