

Location: _____

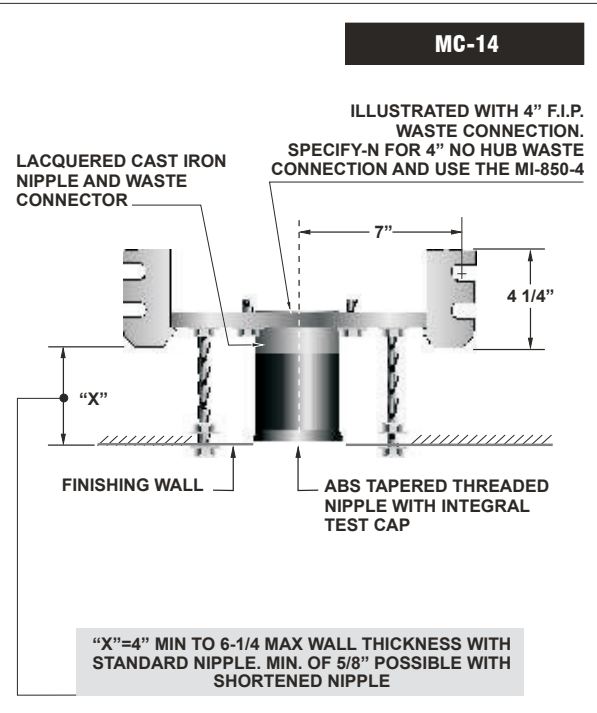
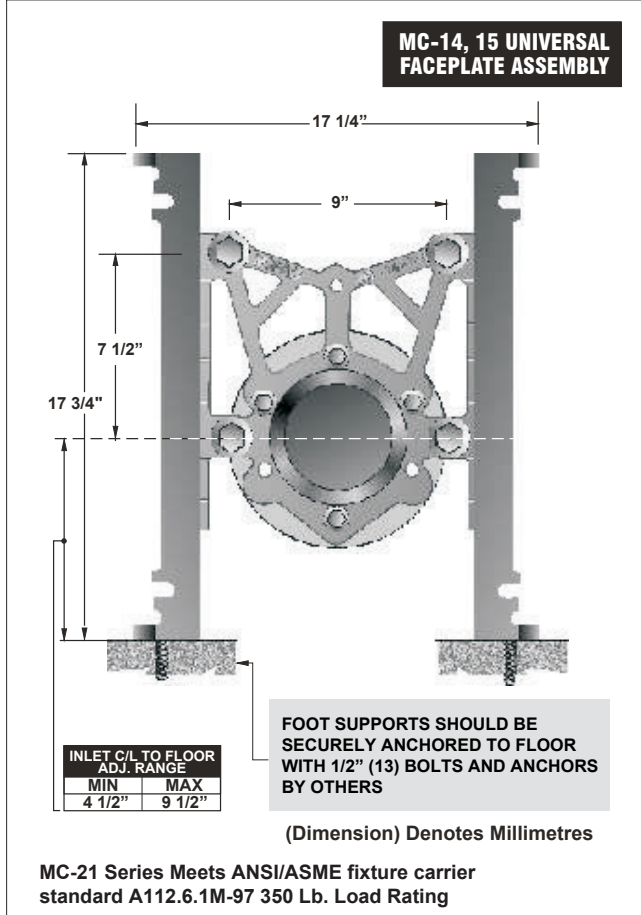


MC-21

COMPACT REAR OUTLET WATER CLOSET CARRIER WITHOUT FITTING

Specification: MIFAB® Series MC-21 floor mounted single, horizontal, adjustable, water closet carrier without fitting, 4" (102) back outlet waste connection (specify no hub or threaded), lacquered cast iron adjustable faceplate, universal floor mounted cast iron foot supports, adjustable 8" tapered thread ABS nipple with integral test cap, neoprene bowl gasket, hardware, threaded rod protectors, polished chrome plated finishing cap nuts and rear anchor tie down support.

Function: Used in a floor mounted frame assembly with off the floor plumbing fixtures in compact areas with minimum in wall space. The closet carrier is completely concealed within the wall and supports the load of the fixture through a faceplate and foot support system that is anchored to the floor. Sanitation underneath the fixture is more efficiently and economically maintained when installed off of the floor compared to floor mounted.



MODEL NO.	CHART
MC-21N	4" no hub waste connection siphon jet configuration
MC-21T	4" F.I.P. threaded connection siphon jet configuration
MC-22N	4" no hub waste connection blow out configuration
MC-22T	4" F.I.P. threaded connection blow out configuration

Note: 8" tapered thread ABS nipple shipped standard with MC-14 Series carriers. The universal faceplate assembly accepts all nipple variations, rolling thread (-OR), cast iron (-CI) and tapered thread ABS with adjustable horn (-AH).

Note: MC-21T illustrated in siphon jet configuration. For blow-out, invert faceplate and use three bolt design.

SUFFIX	OPTIONAL VARIATIONS
-AH8	8" ABS nipple with adjustable horn
-AH12	12" ABS nipple with adjustable horn
-BA	Buy American Act compliant product
-CI-4	4" rolling thread cast iron nipple
-CI-6	6" rolling thread cast iron nipple
-CI-8	8" rolling thread cast iron nipple
-CI-12	12" rolling thread cast iron nipple
-CI-24	24" rolling thread cast iron nipple
-HD	Heavy duty 500 lb. load rated carrier
-HD-750	Heavy duty 750 lb. load rated carrier
-HDX	Extra heavy duty 1,000 lb. load rated carrier

-N	4" no hub waste connection (with MI-850-4)
-PA	Pennsylvania Steel Act compliant product
-PFAB	Prefabricated carrier
-T	4" F.I.P. threaded waste connection
-1	Finishing / Tiling frame
-10	Auxiliary support, recommended with nipple lengths over 12"
-12	12" tapered thread ABS nipple
-13	All galvanized
-14	Vandal proof finish trim
-17	Test plug for custom cast iron nipples
-19	Nipple wrench
-20	Flush valve support

CALIFORNIA PROPOSITION 65 WARNING. This product contains chemicals known to the State of California to cause cancer and birth defects or other reproductive harm.

Job Name: _____ Page No: _____

Section No: _____ Contractor: _____

Schedule No: _____ Purchase Order No: _____