

Location: _____

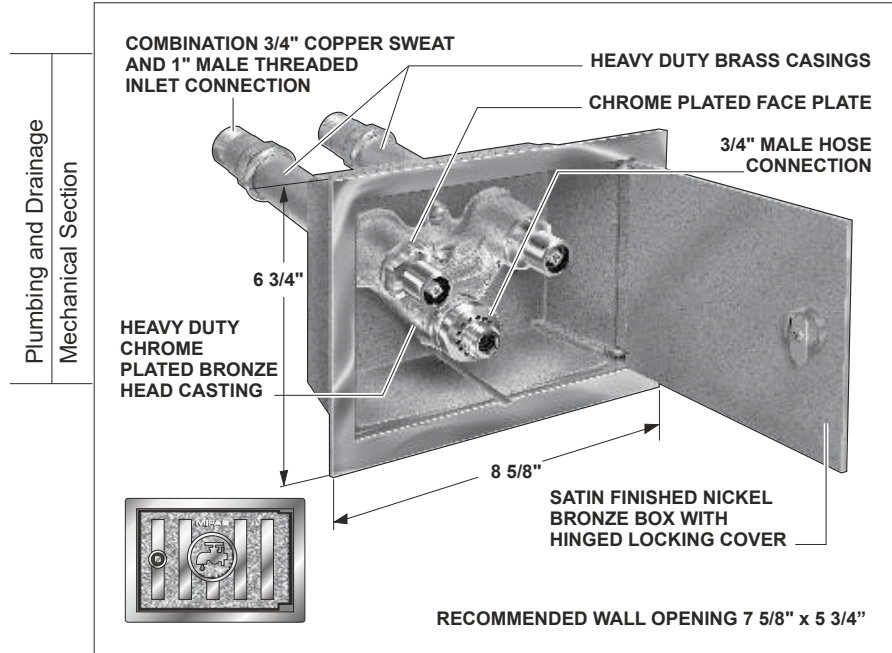


HY-4500-NPB

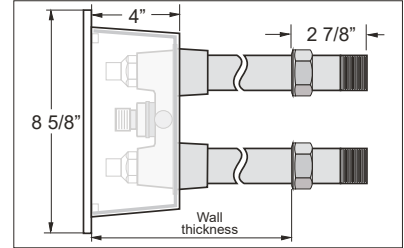
**HOT AND COLD ENCASED
NON FREEZE WALL HYDRANT**

Specification: MIFAB Series HY-4500-NPB ____ A.S.S.E. 1019-B approved encased type, self draining, non freeze hot and cold wall hydrant with A.S.S.E. 1011 approved anti-siphon integral vacuum breaker with 3/4" male hose connection. Hydrant assembly complete with hot and cold temperature control selection, one piece neoprene plunger to control the flow, hardened bronze operating stem, heavy duty brass casing, heavy duty chrome plated bronze head casting, chrome plated face plate and polished nickel bronze box with hinged locking cover. Loose tee key to be furnished with each hydrant.

Function: Designed for use in restaurants, food service areas and other facilities that require anti-contamination hot and cold potable water supply.



Overhead view



- **HY-4500-NPB SERIES FEATURES:**
- **INTERNAL COMPONENTS** - hardened bronze operating stem and one piece neoprene plunger.
- **VACUUM BREAKER** - integral vacuum breaker protects owner from anti-siphon conditions. Self draining.
- **FACE PLATE** - chrome plated.
- **CASING** - heavy duty brass.
- **APPROVALS** - HY-4500-NPB Series wall hydrant is tested and certified to the A.S.S.E. Standard 1019-B and listed by I.A.P.M.O. The anti-siphon vacuum breaker is tested and certified to the A.S.S.E. Standard 1011 and listed by I.A.P.M.O.

MODEL NO.	WALL THICKNESS		OVERALL LENGTH		APPROXIMATE WEIGHT		SWIVEL INLET CONNECTION
	IN	MM	IN	MM	Lbs.	Kg.	IN
HY-4508-NPB	8	203	12	306	16.02	3.74	3/4" Female Sweat, 1" Male IPS combination
HY-4510-NPB	10	254	14	357	16.74	4.10	3/4" Female Sweat, 1" Male IPS combination
HY-4512-NPB	12	305	16	406	17.46	4.39	3/4" Female Sweat, 1" Male IPS combination
HY-4514-NPB	14	356	18	457	18.18	4.72	3/4" Female Sweat, 1" Male IPS combination
HY-4516-NPB	16	406	20	508	18.90	5.05	3/4" Female Sweat, 1" Male IPS combination
HY-4518-NPB	18	457	22	559	19.62	5.38	3/4" Female Sweat, 1" Male IPS combination
HY-4520-NPB	20	508	24	610	20.34	5.70	3/4" Female Sweat, 1" Male IPS combination
HY-4524-NPB	24	610	28	711	21.78	6.35	3/4" Female Sweat, 1" Male IPS combination

SUFFIX	OPTIONAL VARIATIONS
-0	1" (25) Hose connection
-5	3/4" (19) female solder adapter
-6	3/4" (19) I.P.S. 90 degree elbow and union nut
-49	Polished chrome plated nickel bronze box
-BA	Buy American Act compliant product
-K	Cylinder key lock
-PA	Pennsylvania Steel Act compliant product
-WC	Wall clamp



(Dimensions) Denotes Millimetres

CALIFORNIA PROPOSITION 65 WARNING. This product contains chemicals known to the State of California to cause cancer and birth defects or other reproductive harm.

Job Name: _____ Page No: _____
 Section No: _____ Contractor: _____
 Schedule No: _____ Purchase Order No: _____

MIFAB® reserves the right to make changes in material and design without formal notice and obligation.