

*NOTE
85 db @ 10 SOLID TONE
ALARM HORN INSIDE BOX.

FOR USE WITH 120 VAC
WEATHERPROOF
RATED NEMA 4/4X

ALARM LIGHT
RED LEXAN SHIELD
360° VIEWABLE

THERMOPLASTIC
JUNCTION BOX
W/ FOUR (4) MOUNTING HOLES

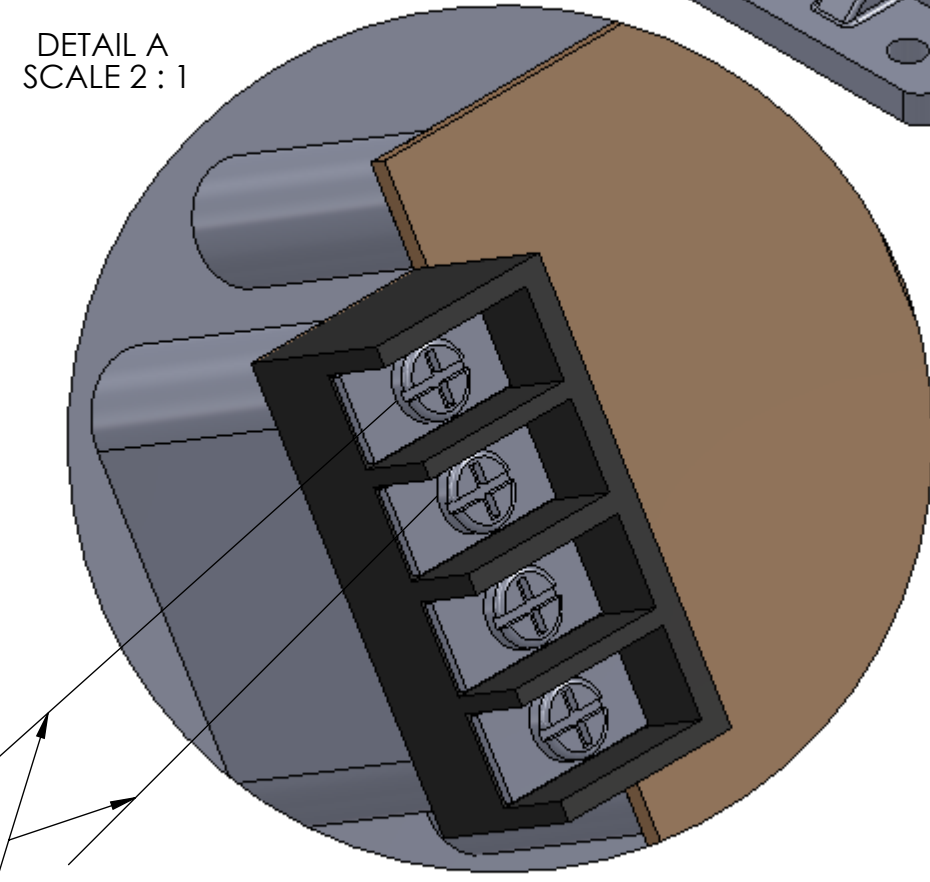
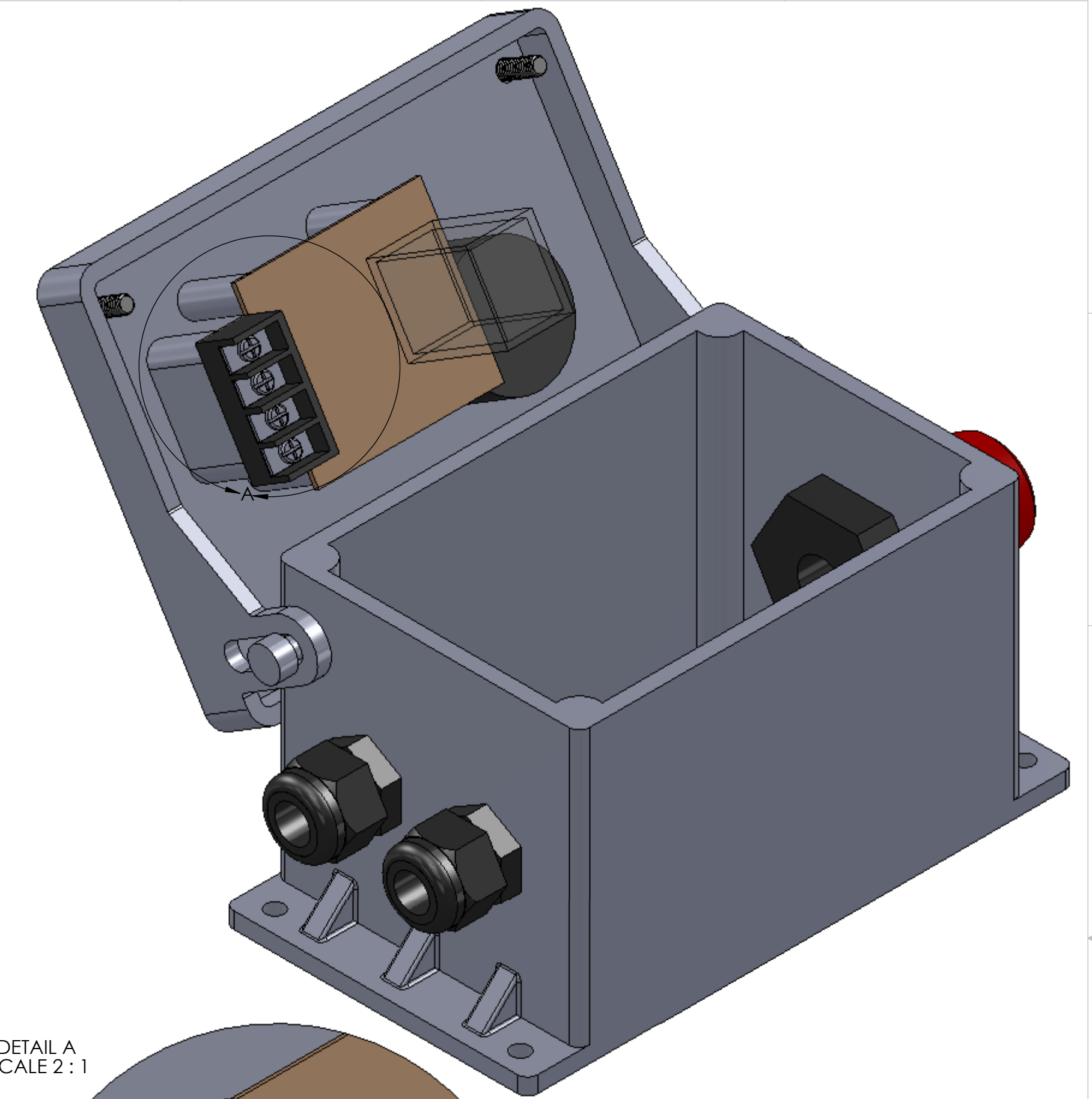
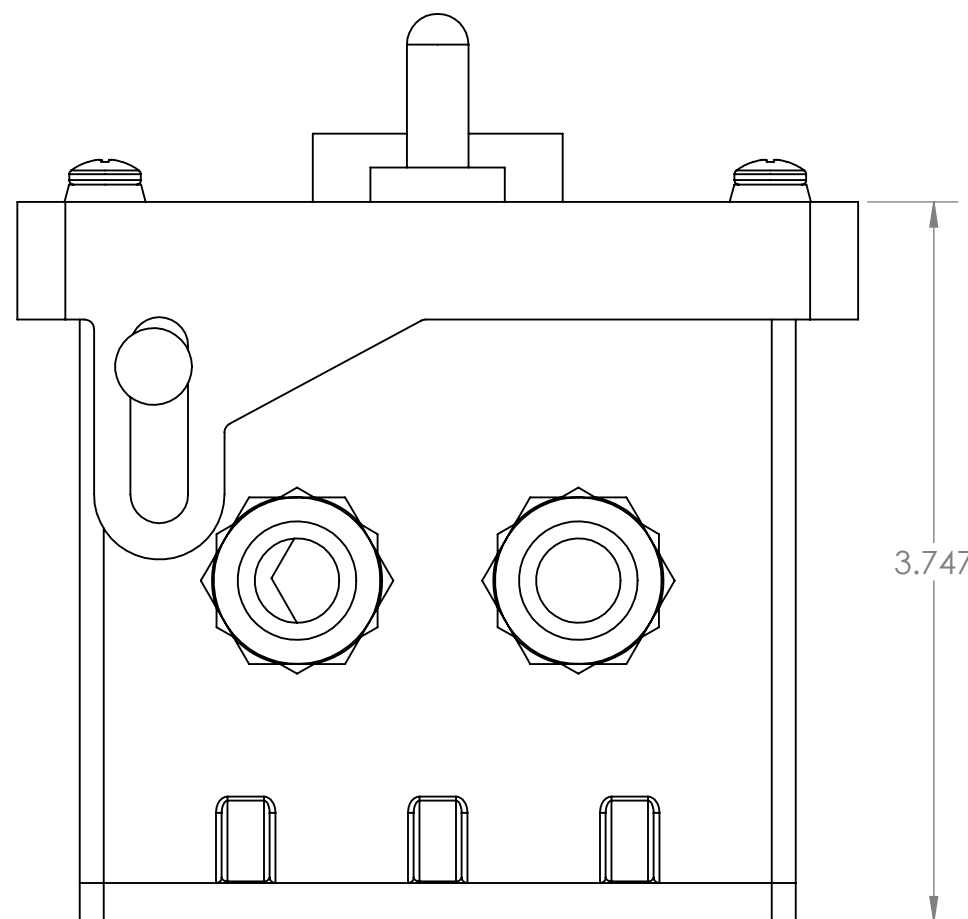
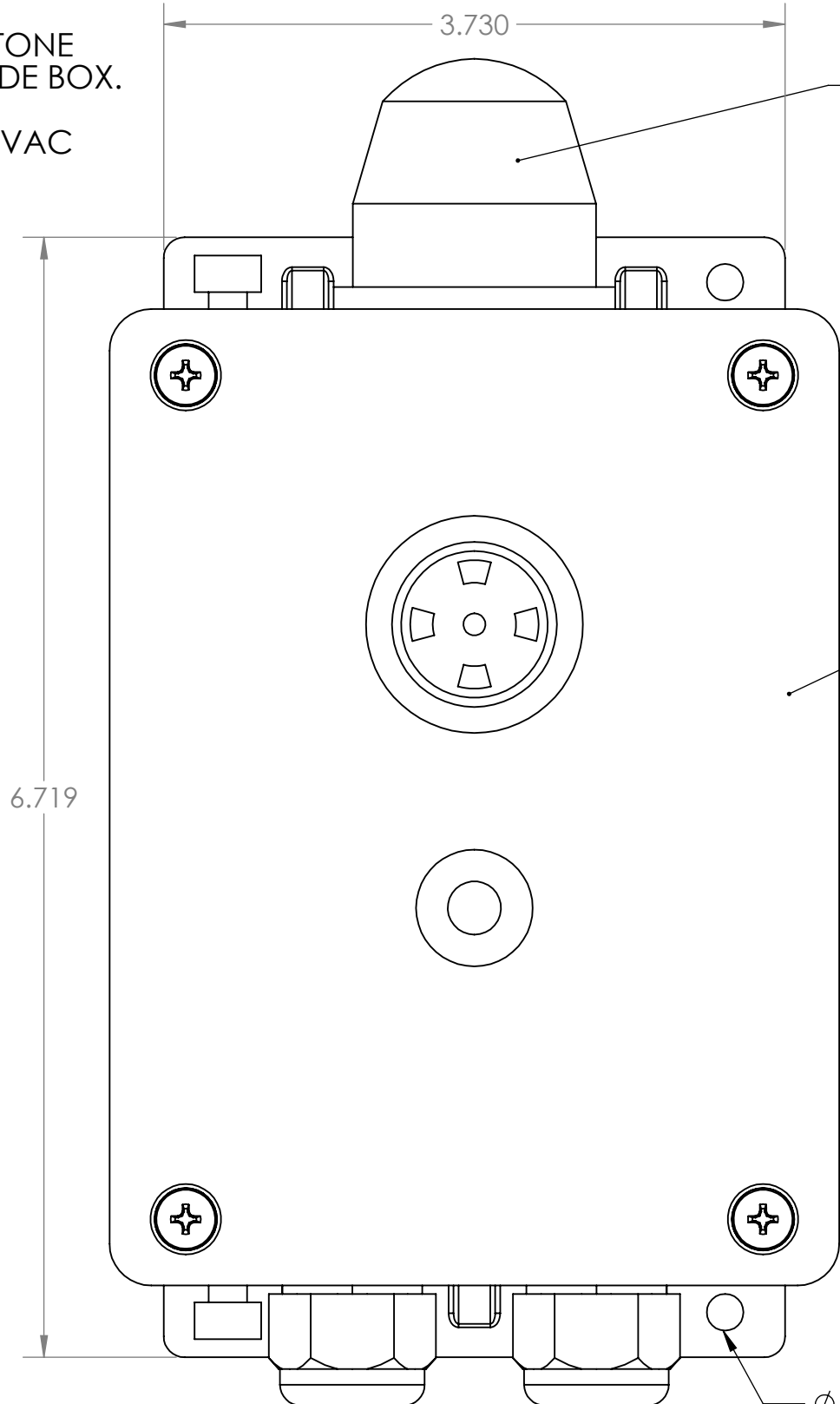
Ø .225 MOUNTING
HOLES (4 PLCS)

ATTACHED 6' POWER CORD 120 VAC
CONNECT TO A GFI OUTLET.

DETAIL A
SCALE 2 : 1

CONNECT HIGH
LVL. ALARM SWITCH
AT THESE TWO
TERMINALS.

*NOTE
CONTROL BOX SHALL BE
MOUNTED TO THE NEAREST WALL
OR PERMANENT STRUCTURE.



PROPRIETARY AND CONFIDENTIAL
THE INFORMATION CONTAINED IN THIS
DRAWING IS THE SOLE PROPERTY OF
<INSERT COMPANY NAME HERE>. ANY
REPRODUCTION IN PART OR AS A WHOLE
WITHOUT THE WRITTEN PERMISSION OF
<INSERT COMPANY NAME HERE> IS
PROHIBITED.

| | | | |
|---------------|--|-----------|----------|
| COMPLETED BY: | UNLESS OTHERWISE SPECIFIED: DIMENSIONS ARE IN INCHES TOLERANCES: FRACTIONAL ±1/16 ANGULAR: MACH ±1° BEND ±1° TWO PLACE DECIMAL ±.015 THREE PLACE DECIMAL ±.010 TYPICAL DRAFT ANGLE 2° | NAME | DATE |
| REVIEWED BY: | INTERPRET GEOMETRIC TOLERANCING PER: MATERIAL | JH | 05/28/13 |
| | SEE-BOM | CHECKED | |
| | FINISH | ENG APPR. | |
| NEXT ASSY | USED ON | MFG APPR. | |
| APPLICATION | DO NOT SCALE DRAWING | Q.A. | |
| | | QUANTITY: | |

| | | |
|-----------------------------------|----------|--------------|
| MIFAB | | |
| TITLE: HIGH LEVEL ALARM SYSTEM | | |
| SIZE | DWG. NO. | REV |
| C | TLA-500 | |
| SCALE: 1:1 | WEIGHT: | SHEET 1 OF 1 |