

Location: _____

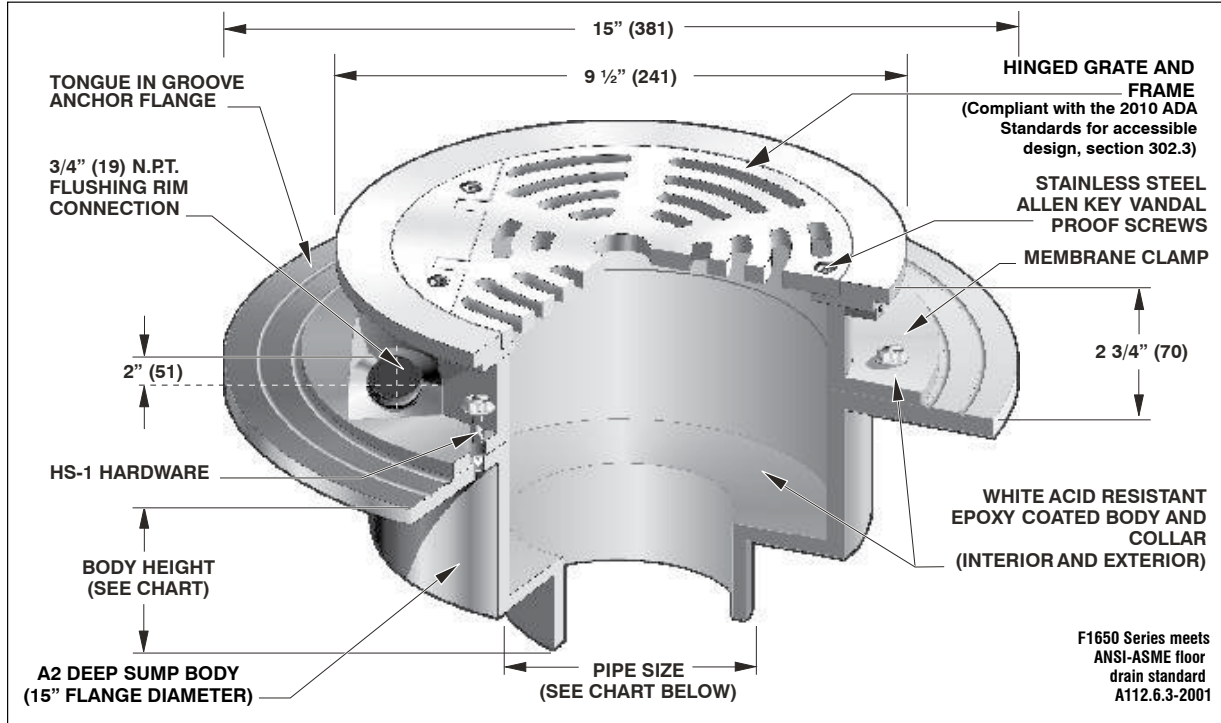


F1650

FLUSHING RIM FLOOR DRAIN WITH FLUSHING CONNECTION

Specification: MIFAB® Series F1650 flushing rim floor drain with white epoxy coated interior and exterior cast iron body, 3/4" (19) N.P.T. flushing connection, anchor flange, membrane clamp, and stain finished (specify material finish) grate and frame with stainless steel allen key vandal proof screws.

Function: Used in hospital operating and veterinary rooms, industrial and educational laboratories where waste must be drained to the sewer. Appropriate for mental institutions, zoos and prisons as drain type water closets.



Note: See F1670 for water supply control box to be used with the flushing rim floor drain Use a vacuum breaker between the potable water supply and the connection to the flushing rim connection (by others).

STRAINER DIAMETER	ANSI/ASME RATING			PIPE SIZE	BODY HEIGHT				
	FREE AREA	LOAD RATING			NO HUB (STANDARD)	PUSH ON (P)	THREADED (T)	INSIDE CAULK (X)	PVC/ABS (-30)/(-31)
		N.B. (-1)	S.S. (-3)						
9" (229)	18 in ² (11,613 ²)	UP TO 2,000 LBS.	2,000 TO 4,999 LBS.	2" (51)	6" (152)	6 1/8" (156)	5 7/16" (138)	6 1/4" (159)	7 1/8" (181)
				3" (76)	6" (152)	6 1/8" (156)	5 7/16" (138)	6 1/4" (159)	7 3/8" (187)
				4" (102)	6" (152)	6 1/8" (156)	5 7/16" (138)	6 1/4" (159)	7 3/8" (187)
				5" (127)	6" (152)	—	5 7/16" (138)	6 1/4" (159)	—
				6" (152)	7 1/4" (184)	7" (178)	7" (178)	6 1/4" (159)	—

SUFFIX	OPTIONAL VARIATIONS
-1	Nickel bronze frame and grate
-3	Stainless steel frame and grate
-5	Sediment bucket
-6	Security screws (T-20 Torx & pin)
-13	Galvanized body
-21	Secondary flat stainless steel strainer (2", 3", 4")
-25-1	Nickel bronze hinged solid cover
-28	Stainless steel body (Type 304)
-30	PVC socket connection body
-31	ABS socket connection body
-34	Closure plug
-40	Underdeck clamp
-41	Sump receiver

SUFFIX	OPTIONAL VARIATIONS
-90	Threaded side outlet (2", 3", 4")
-90NH	No hub side outlet (2", 3", 4")
-95	Client logo
-BA	Buy American Act compliant product
-HP	Heel proof grate (1/4" maximum grate opening size, -3 only)
(Standard)	No hub outlet
-MG	MI-GARD Floor Drain Trap Sealer (2", 3" or 4")
P	Push on outlet
-PA	Pennsylvania Steel Act compliant product
T	Threaded outlet (2", 3", 4")
X	Inside caulk outlet
-Z	Extended wide elastomeric flange

Job Name: _____ Page No: _____

Section No: _____ Contractor: _____

Schedule No: _____ Purchase Order No: _____