

Location: \_\_\_\_\_

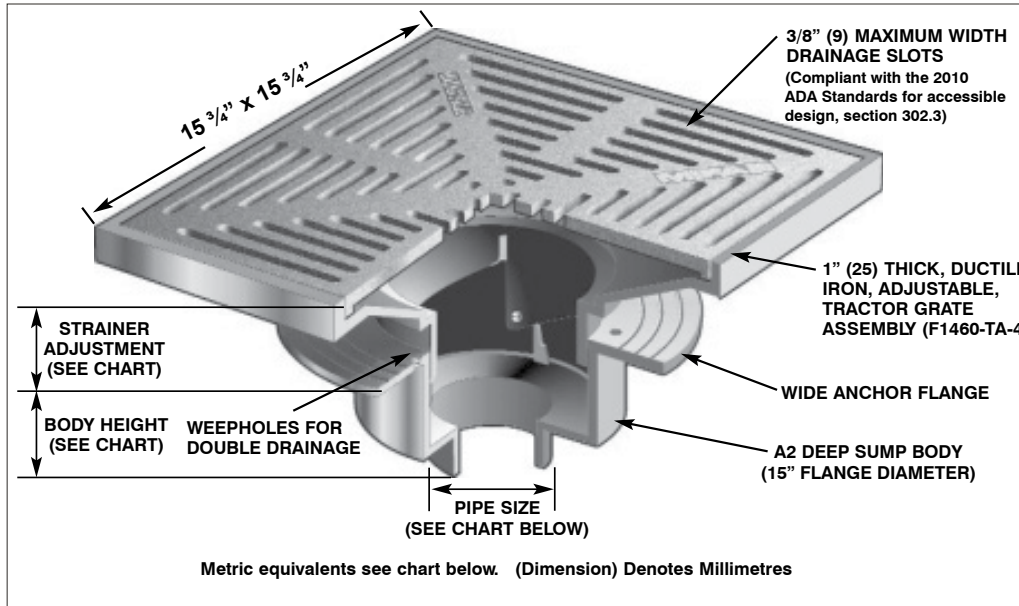


**F1460**

**FLOOR DRAIN WITH 15 3/4" SQUARE ADJUSTABLE TRACTOR GRATE AND DEEP SUMP**

**Speci cation:** MIFAB® Series F1460 lacquered cast iron deep sump floor drain with anchor flange, weepholes, and adjustable collar with standard 1" (25) thick, 15 3/4" (400) square, (specify material finish) tractor grate.

**Function:** Used in warehouses, mechanical rooms, parking garages and other non-membrane finished areas. 15 3/4" square, adjustable tractor grate is used with all types of poured finished floors.



**PARTS:**



A2 Body



F1460-TA-4 (\*) Denotes Strainer Finish (-1, -3 or -4)

F1460 Series meets ANSI/ASME floor drain standard A112.6.3-2001

STRAINER DIAMETER	STRAINER ADJUSTMENT		FREE AREA	ANSI/ASME RATING	PIPE SIZE	BODY HEIGHT				
	MIN	MAX		LOAD RATING		NO HUB (STANDARD)	PUSH ON (P)	THREADED (T)	INSIDE CAULK (X)	PVC/ABS (-30)/(-31)
15 3/4" x 15 3/4" (406 x 406)	2" (51)	4" (102)	80 in <sup>2</sup>	ANSI/ASME LOAD CLASS "SPECIAL DUTY" (OVER 10,000 LBS.)	2" (51)	6" (152)	6 1/8" (156)	5 7/16" (138)	6 1/4" (159)	7 1/8" (181)
					3" (76)	6" (152)	6 1/8" (156)	5 7/16" (138)	6 1/4" (159)	7 3/8" (187)
					4" (102)	6" (152)	6 1/8" (156)	5 7/16" (138)	6 1/4" (159)	7 3/8" (187)
					5" (127)	6" (152)	—	5 7/16" (138)	6 1/4" (159)	—
					6" (152)	7 1/4" (184)	7" (178)	7" (178)	6 1/4" (159)	—

**SUFFIX**

**OPTIONAL VARIATIONS**

- 1 Nickel bronze strainer (veneer)
- 3 Stainless steel strainer (veneer)
- 4 Ductile iron strainer
- 5 Sediment bucket
- 6 Security screws (T-20 Torx & pin)
- 7 1/2" trap seal primer connection
- 8 Backwater valve (2", 3", 4")
- 11 Acid resistant epoxy coated body
- 12 Galvanized top assembly
- 13 Galvanized body
- 15 Extension
- 20 Secondary dome strainer
- 21 Secondary flat stainless steel strainer (2", 3", 4")
- 24 Solid secured cover
- 28 Stainless steel body (Type 304)
- 30 PVC socket connection body
- 31 ABS socket connection body
- 32 2", 3", 4" integral deep seal trap
- 34 Closure plug
- 35 Stainless steel mesh over bucket
- 40 Underdeck clamp

**SUFFIX**

**OPTIONAL VARIATIONS**

- 41 Sump receiver
- 50 Lacquered cast iron funnel
- 90 Threaded side outlet (2", 3", 4")
- 90NH No hub side outlet (2", 3", 4")
- 95 Client logo
- BA Buy American Act compliant product
- C Membrane clamp
- F4 4" Round funnel
- F6 6" Round funnel
- G Oval 4" x 9" funnel
- HP Heel proof grate (1/4" maximum grate opening size, -3 only)
- J 6" x 3" x 1" funnel
- (Standard) No hub outlet
- MG MI-GARD Floor Drain Trap Sealer (2", 3" or 4")
- P Push on outlet
- PA Pennsylvania Steel Act compliant product
- T Threaded outlet (2", 3", 4")
- X Inside caulk outlet
- Y Non-adjustable top
- Z Extended wide elastomeric flange

CALIFORNIA PROPOSITION 65 WARNING. This product contains chemicals known to the State of California to cause cancer and birth defects or other reproductive harm.

Job Name: \_\_\_\_\_

Page No: \_\_\_\_\_

Section No: \_\_\_\_\_

Contractor: \_\_\_\_\_

Schedule No: \_\_\_\_\_

Purchase Order No: \_\_\_\_\_