

Location: _____

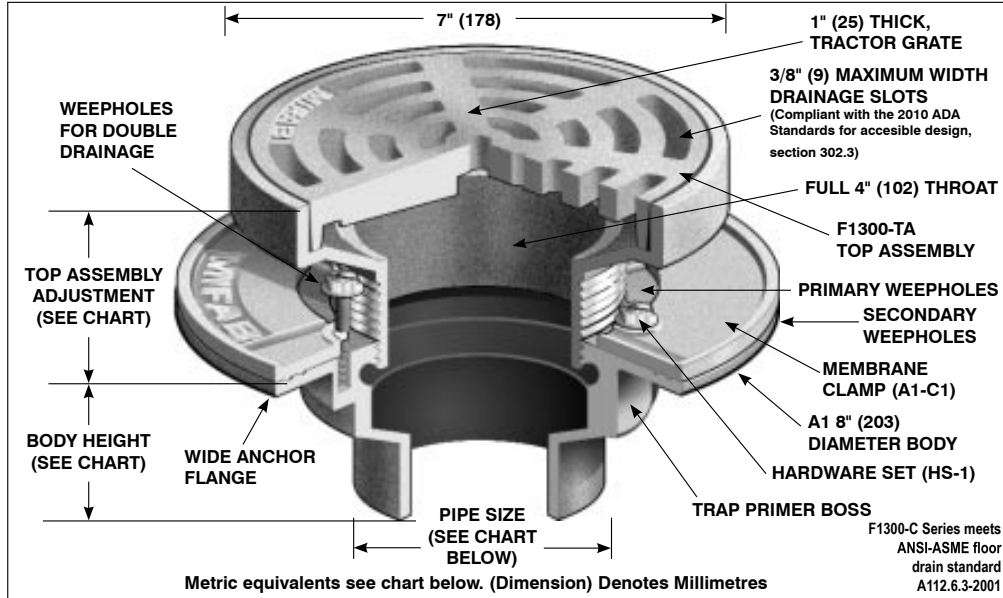


F1300-C

FLOOR DRAIN WITH 7" ROUND ADJUSTABLE TRACTOR GRATE

Specification: MIFAB® Series F1300-C lacquered cast iron floor drain with anchor flange, cast iron clamp ring with primary and secondary weepholes for waterproofing membrane, and standard 1" (25) thick, 7" (178) round, (specify material finish) tractor grate. (For non-membrane floors, use F1300 Series.)

Function: Used in warehouses, mechanical rooms, parking garages and other membrane finished areas. 7" Round, adjustable tractor grate is used with all types of poured finished floors. Membrane clamp is provided to secure the waterproofing membrane.



PARTS:

A1 BODY
F1300-TA-(*)
(*) Denotes Strainer Finish (-1, -3 or -4)
A1-C1
HS-1

F1300-C Series meets ANSI-ASME floor drain standard A112.6.3-2001

STRAINER SIZE	STRAINER ADJUSTMENT		ANSI/ASME RATING		PIPE SIZE	BODY HEIGHT				
	MIN	MAX	FREE AREA	LOAD RATING N.B. (-1) / S.S. (-3) / D.I. (-4)		NO HUB (STANDARD)	PUSH ON (P)	THREADED (T)	INSIDE CAULK (X)	PVC/ABS (-30)/(-31)
7" (178)	1 5/8" (41)	2 5/8" (67)	11 in ² (7096 ²)	ANSI/ASME LOAD CLASS "SPECIAL DUTY" (OVER 10,000 LBS.)	2" (51)	3" (76)	3 3/8" (86)	2 1/4" (57)	3 3/4" (95)	2 15/16" (75)
					3" (76)	3" (76)	3 3/8" (86)	2 5/8" (67)	3 3/4" (95)	3 3/4" (95)
					4" (102)	3" (76)	3 3/8" (86)	2 5/8" (67)	3 3/4" (95)	3 3/4" (95)
					5" (127)	3" (76)	--	2 5/8" (67)	3 3/4" (95)	--
					6" (152)	3 1/4" (83)	6 1/2" (165)	--	--	--

SUFFIX	OPTIONAL VARIATIONS
-1	Nickel bronze strainer (vener)
-3	Stainless steel strainer (vener)
-4	Ductile iron strainer
-5	Sediment bucket
-6	Security screws (T-20 Torx & pin)
-7	1/2" trap seal primer connection
-8	Backwater valve (2", 3", 4")
-11	Acid resistant epoxy coated body
-12	Galvanized top assembly
-13	Galvanized body
-14	Non-tilt grate
-15	Extension
-16	Square top
-21	Secondary flat stainless steel strainer (2", 3", 4")
-28	Stainless steel body (Type 304)
-30	PVC socket connection body
-31	ABS socket connection body
-32	2", 3", 4" integral deep seal trap
-34	Closure plug
-40	Underdeck clamp

SUFFIX	OPTIONAL VARIATIONS
-41	Sump receiver
-50	Lacquered cast iron funnel
-90	Threaded side outlet (2", 3", 4")
-90NH	No hub side outlet (2", 3", 4")
-95	Client logo
-BA	Buy American Act compliant product
-C2	High rough-in membrane clamp (min. 1 9/16" (40)
-F4	4" Round funnel
-F6	6" Round funnel
(Standard)	No hub outlet
-G	Oval 4" x 9" funnel
-HP	Heel proof grate (1/4" maximum grate opening size, -3 only)
-J	6" x 3" x 1" funnel
-MG	MI-GARD Floor Drain Trap Sealer (2", 3" or 4")
P	Push on outlet
-PA	Pennsylvania Steel Act compliant product
T	Threaded outlet (2", 3", 4")
X	Inside caulk outlet
-Y	Non-adjustable top
-Z	Extended wide elastomeric flange

Job Name: _____ Page No: _____
 Section No: _____ Contractor: _____
 Schedule No: _____ Purchase Order No: _____