

Location: _____

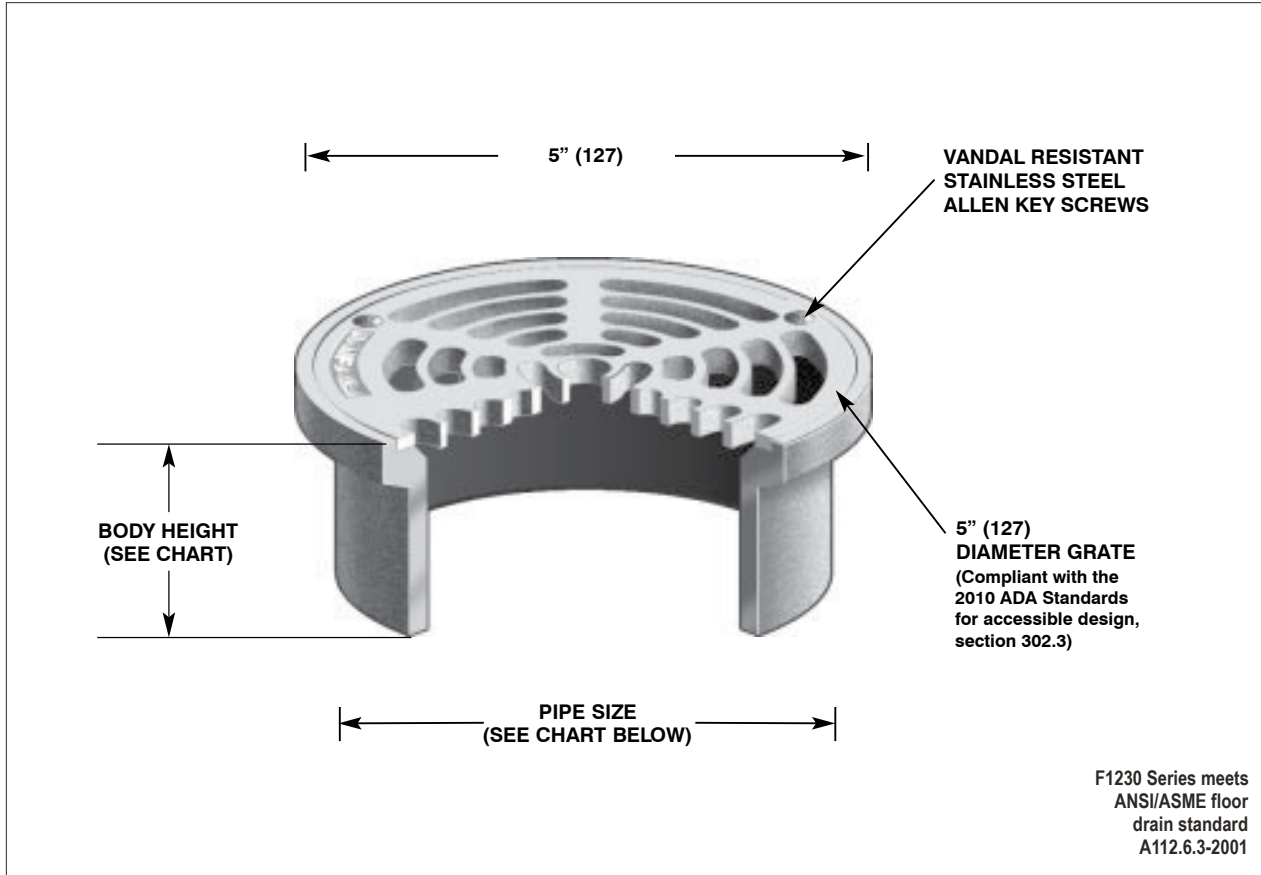


F1230

**FLOOR DRAIN FOR
NON-MEMBRANE FLOOR AREAS**

Specification: MIFAB® Series F1230 lacquered cast iron floor drain with standard (specify material finish), 5" (127) diameter strainer (specify material finish).

Function: Used in showers, kitchens, restrooms and other non-membrane finished areas. Round strainer is used with all types of finished floors. Shallow depth body is ideal for shallow pour applications.



F1230 Series meets
ANSI/ASME floor
drain standard
A112.6.3-2001

STRAINER DIAMETER	ANSI/ASME RATING				PIPE SIZE	BODY HEIGHT		
	FREE AREA	LOAD RATING				CAST IRON BODY (-50)	NICKEL BRONZE BODY (-1)	PVC/ABS (-30)/(-31)
		N.B. (-1)	S.S. (-3)	D.I. (-4)				
5" (127)	8 in ² (5200 ²)	UP TO 2,000 LBS.	5000-7499 LBS.	5,000-7,499 LBS.	2" (51)	2 1/2" (64)	2 1/2" (64)	2 15/16" (75)
					3" (76)	2 1/2" (64)	2 1/2" (64)	2 15/16" (75)
					4" (102)	2 1/2" (64)	2 1/2" (64)	2 15/16" (75)

SUFFIX OPTIONAL VARIATIONS

- 1 Nickel bronze strainer
- 2 Polished brass strainer (5" only)
- 4 Ductile iron grate (5" x 8" only)
- 5 Sediment bucket
- 6 Security screws (T-20 Torx & pin)
- 8 Backwater valve (2", 3", 4")
- 11 Acid resistant epoxy coated body
- 30 PVC socket connection body
- 31 ABS socket connection body
- 49 Chrome Plated Strainer
- 50 Lacquered cast iron funnel

SUFFIX OPTIONAL VARIATIONS

- 95 Client logo
- BA Buy American Act compliant product
- F4 4" Round funnel
- F6 6" Round funnel
- G Oval 4" x 9" funnel
- HP Heel proof grate (1/4" maximum grate opening size, -3 only)
- J 6" x 3" x 1" funnel
- MG MI-GARD Floor Drain Trap Sealer (2", 3" or 4")
- PA Pennsylvania Steel Act compliant product

Job Name: _____ Page No: _____

Section No: _____ Contractor: _____

Schedule No: _____ Purchase Order No: _____