

Location: \_\_\_\_\_

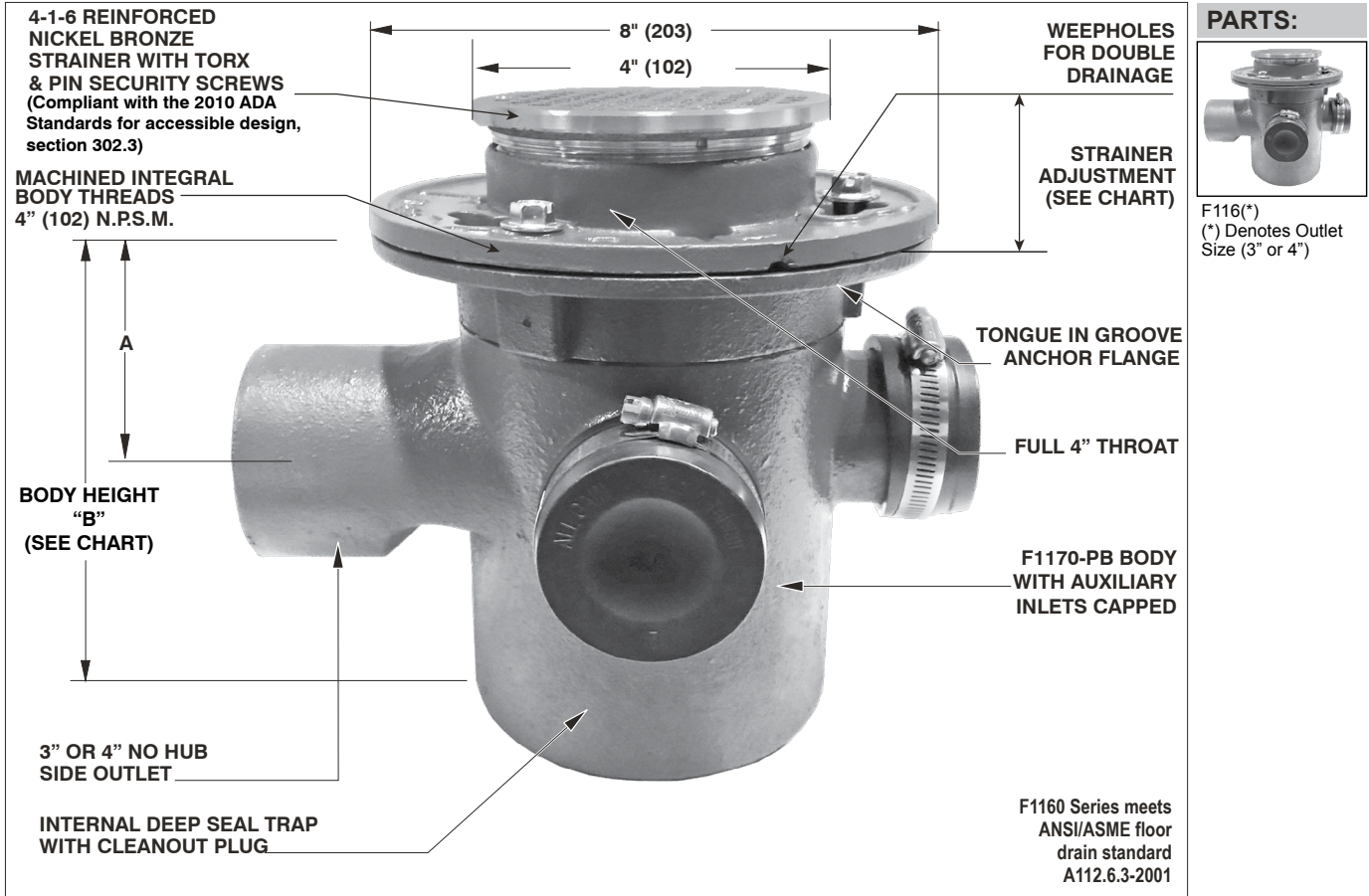


**F1160**

**PRISON CELL FLOOR DRAIN**

**Specification:** MIFAB® Series F1160 Prison Cell floor drain with lacquered cast iron body and anchor flange, weepholes, 3" or 4" no hub side outlet, integral deep seal trap with cleanout plug and adjustable (specify material finish) strainer with T-20 torx and pin security screws. (For membrane floors, use MIFAB F1160-C Series.)

**Function:** Used in prisons, detention and any other areas that require a drain with security screws to prevent access and tampering. Side outlet with integral deep seal trap permits easy installation in areas with limited installation space.



STRAINER DIAMETER	STRAINER ADJUSTMENT		ANSI/ASME RATING		PIPE SIZE	BODY HEIGHT	
	MIN	MAX	FREE AREA	LOAD RATING (-1) N.B.		A	B
4" (102)	1/2" (13)	1 1/2" (38)	3 1/2 in <sup>2</sup>	UP TO 2000 LBS.	3" (76) 4" (102)	3 3/4" (95) 3 3/4" (95)	7 7/8" (200) 7 7/8" (200)

**SUFFIX OPTIONAL VARIATIONS**

- 1 Nickel bronze strainer and cover
- 5 Sediment bucket
- (Standard) Security screws (T-20 Torx & pin)
- 7 1/2" trap seal primer connection
- 8 Backwater valve (2", 3", 4")
- 11 Acid resistant epoxy coated body
- 13 Galvanized body
- 15 Extension
- 28 Stainless steel body (Type 304)

**SUFFIX OPTIONAL VARIATIONS**

- 49 Chrome Plated Strainer
- 95 Client logo
- C Membrane Clamp
- C1 Clamp ring for low rough-in (min. 7/8" (22))
- HP Heel proof grate (1/4" maximum grate opening size, -3 only)
- (Standard) No hub side outlet
- MG MI-GARD Floor Drain Trap Sealer (2", 3" or 4")
- Z Extended wide elastomeric flange

Job Name: \_\_\_\_\_ Page No: \_\_\_\_\_

Section No: \_\_\_\_\_ Contractor: \_\_\_\_\_

Schedule No: \_\_\_\_\_ Purchase Order No: \_\_\_\_\_