

Location: _____

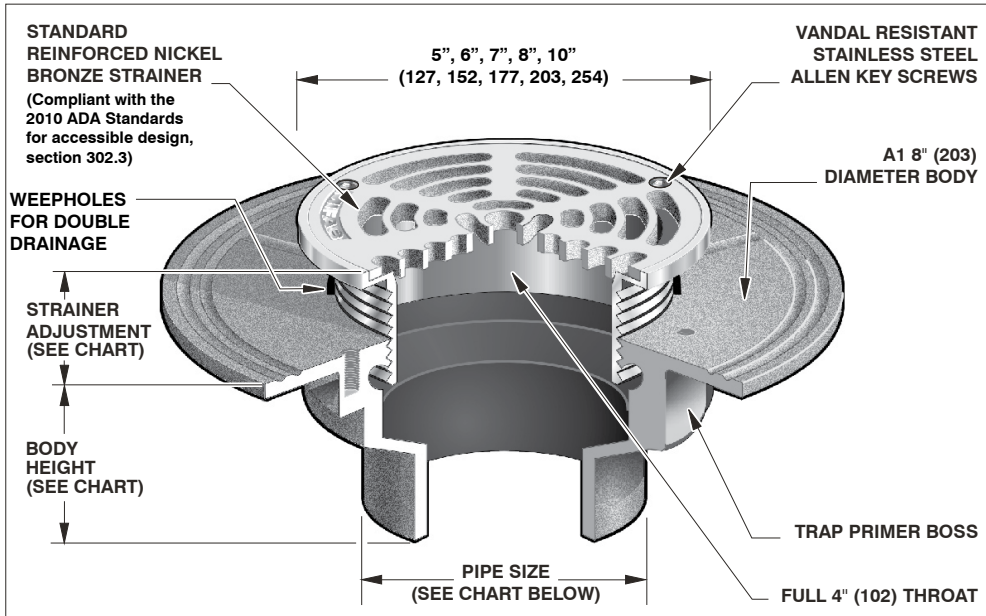


F1100

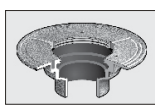
FLOOR DRAIN FOR NON-MEMBRANE FLOOR AREAS

Specification: MIFAB® Series F1100 (*)-1 (* specify strainer diameter) lacquered cast iron floor drain with anchor flange, and standard satin finished nickel bronze strainer with vandal resistant stainless steel allen key screws. (For membrane floors, add -C to the Series number).

Function: Used in showers, kitchens, restrooms, and other non-membrane finished areas. Round adjustable nickel bronze strainer is used for all types of poured finished floors.



PARTS:



(*)-(**) Denotes Strainer Size
(**) Denotes Strainer Finish
(-1, -3 or -4)

F1100 Series meets ANSI/ASME floor drain standard A112.6.3-2001

Metric equivalents see chart below. (Dimension) Denotes Millimetres

STRAINER DIAMETER	STRAINER ADJUSTMENT		ANSI/ASME RATING		PIPE SIZE	BODY HEIGHT					
			FREE AREA	LOAD RATING		NO HUB (STANDARD)	PUSH ON (P)	THREADED (T)	INSIDE CAULK (X)	PVC/ABS (-30)/(-31)	
	N.B. (-1)	S.S. (-3)		MIN							MAX
5" (127)	1/2" (38)	1 1/2" (38)	8 in ² (5200 ²)	UP TO 2000 LBS.	OVER 10000 LBS.	2" (51)	3" (76)	3 3/8" (86)	2 1/4" (57)	3 3/4" (95)	2 15/16" (75)
6" (152)	11/16" (17)	1 1/2" (38)	9 in ² (5800 ²)	UP TO 2000 LBS.	--	3" (76)	3" (76)	3 3/8" (86)	2 5/8" (67)	3 3/4" (95)	3 3/4" (95)
7" (178)	9/16" (14)	1 9/16" (40)	12 in ² (7700 ²)	UP TO 2000 LBS.	OVER 10000 LBS.	4" (102)	3" (76)	3 3/8" (86)	2 5/8" (67)	3 3/4" (95)	3 3/4" (95)
8" (203)	1 1/16" (17)	2 1/4" (57)	18 in ² (11600 ²)	UP TO 2000 LBS.	OVER 10000 LBS.	5" (127)	3" (76)	--	2 5/8" (67)	3 3/4" (95)	--
10" (254)	1 1/16" (17)	2 1/4" (57)	26 in ² (17170 ²)	UP TO 2000 LBS.	--	6" (152)	3 1/4" (83)	6 1/2" (165)	--	--	--

SUFFIX OPTIONAL VARIATIONS

- 1 Nickel bronze strainer (standard)
- 2 Polished brass strainer (5" only)
- 3 Stainless steel strainer
- 4 Ductile iron strainer (5", 8" only)
- 5 Sediment bucket
- 6 Security screws (T-20 Torx & pin)
- 7 1/2" trap seal primer connection
- 8 Backwater valve (2", 3", 4")
- 11 Acid resistant epoxy coated body
- 13 Galvanized body
- 15 Extension
- 21 Secondary flat stainless steel strainer (2", 3", 4")
- 28 Stainless steel body (Type 304)
- 30 PVC socket connection body
- 31 ABS socket connection body
- 34 Closure plug
- 40 Underdeck clamp
- 41 Sump receiver

SUFFIX OPTIONAL VARIATIONS

- 49 Chrome plated strainer
- 50 Lacquered cast iron funnel
- 90 Threaded side outlet (2", 3", 4") (cast iron only)
- 90NH No hub side outlet (2", 3", 4") (cast iron only)
- 95 Client logo
- BA Buy American Act compliant product
- C Membrane clamp for low rough-in (min. 1/2" (13))
- C2 High rough-in membrane clamp (min. 1 9/16" (40))
- F4 4" Round funnel
- F6 6" Round funnel
- G Oval 4" x 9" funnel
- HP Heel proof grate (1/4" maximum grate opening size, -3 only)
- J 6" x 3" x 1" funnel
- MG MI-GARD Floor Drain Trap Sealer (2", 3" or 4")
- P Push on outlet
- PA Pennsylvania Steel Act compliant product
- T Threaded outlet (2", 3", 4")
- X Inside caulk outlet
- Z Extended wide elastomeric flange

CALIFORNIA PROPOSITION 65 WARNING. This product contains chemicals known to the State of California to cause cancer and birth defects or other reproductive harm.

Job Name: _____ Page No: _____
 Section No: _____ Contractor: _____
 Schedule No: _____ Purchase Order No: _____