

Location: \_\_\_\_\_

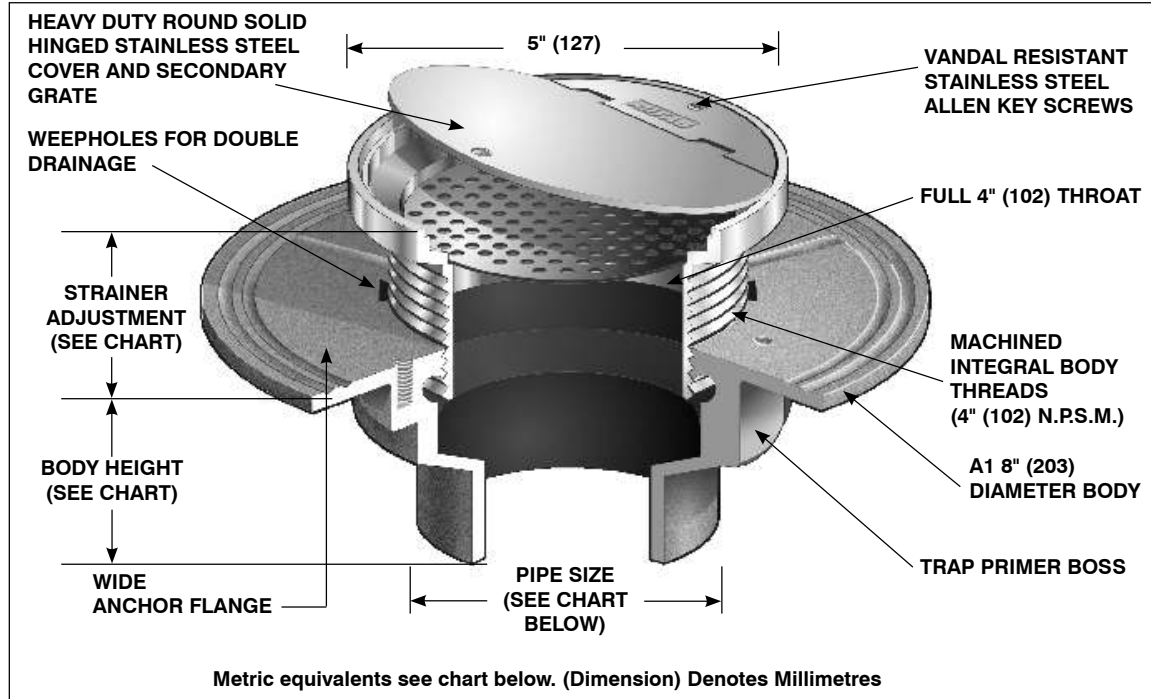


# F1100-VD

## FLOOR DRAIN WITH SOLID HINGED ROUND COVER AND SECONDARY GRATE FOR NON-MEMBRANE FLOOR AREAS

**Specification:** MIFAB® Series F1100-VD5-3 lacquered cast iron floor drain with anchor flange, weepholes, and stainless steel solid cover with secondary grate to prevent entry of debris. (For membrane floors, use MIFAB F1100-C-VD Series.)

**Function:** Used in non-membrane finished areas where irregular drain use is required. Stainless steel solid cover prevents entry of debris which is brushed away before cover is opened for hosedown. The stainless steel secondary strainer prevents debris from entering the drain. Used for all types of poured finished floors.



**PARTS:**



A1 BODY



VD5-3

F1100-VD Series meets ANSI-ASME floor drain standard A112.6.3-2001

STRAINER SIZE	STRAINER ADJUSTMENT		ANSI/ASME RATING		PIPE SIZE	BODY HEIGHT				
			FREE AREA	LOADRATING S.S. (-3)		NO HUB (STANDARD)	PUSH ON (P)	THREADED (T)	INSIDE CAULK (X)	PVC/ABS (-30)/(-31)
	MIN	MAX								
5" (127)	1/2" (13)	1 1/2" (38)	8 in <sup>2</sup> (5200 <sup>2</sup> )	5000-7499 LBS.	2" (51)	3" (76)	3 3/8" (86)	2 1/4" (57)	3 3/4" (95)	2 15/16" (75)
					3" (76)	3" (76)	3 3/8" (86)	2 5/8" (67)	3 3/4" (95)	3 3/4" (95)
					4" (102)	3" (76)	3 3/8" (86)	2 5/8" (67)	3 3/4" (95)	3 3/4" (95)
					5" (127)	3" (76)	--	2 5/8" (67)	3 3/4" (95)	--
					6" (152)	3 1/4" (83)	6 1/2" (165)	--	--	--

- SUFFIX**    **OPTIONAL VARIATIONS**
- 3    Stainless steel strainer (standard)
  - 5    Sediment bucket
  - 6    Security screws (T-20 Torx & pin)
  - 7    1/2" trap seal primer connection
  - 8    Backwater valve (2", 3", 4")
  - 11    Acid resistant epoxy coated body
  - 12    Galvanized top assembly
  - 13    Galvanized body
  - 15    Extension
  - 21    Secondary flat stainless steel strainer (2", 3", 4")
  - 28    Stainless steel body (Type 304)
  - 30    PVC socket connection body
  - 31    ABS socket connection body
  - 34    Closure plug
  - 40    Underdeck clamp
  - 41    Sump receiver
  - 49    Chrome Plated Strainer

- SUFFIX**    **OPTIONAL VARIATIONS**
- 90    Threaded side outlet (2", 3", 4") (cast iron only)
  - 90NH    No hub side outlet (2", 3", 4") (cast iron only)
  - 95    Client logo
  - BA    Buy American Act compliant product
  - C    Membrane clamp for low rough-in (min. 1/2" (13))
  - C2    High rough-in membrane clamp (min. 1 9/16" (40))
  - F4    4" Round funnel
  - F6    6" Round funnel
  - G    Oval 4" x 9" funnel
  - J    6" x 3" x 1" funnel
  - (Standard)    No hub outlet
  - MG    MI-GARD Floor Drain Trap Sealer (2", 3" or 4")
  - P    Push on outlet
  - PA    Pennsylvania Steel Act compliant product
  - T    Threaded outlet (2", 3", 4")
  - X    Inside caulk outlet
  - Z    Extended wide elastomeric flange

CALIFORNIA PROPOSITION 65 WARNING. This product contains chemicals known to the State of California to cause cancer and birth defects or other reproductive harm.

Job Name: \_\_\_\_\_ Page No: \_\_\_\_\_

Section No: \_\_\_\_\_ Contractor: \_\_\_\_\_

Schedule No: \_\_\_\_\_ Purchase Order No: \_\_\_\_\_