

Location: _____

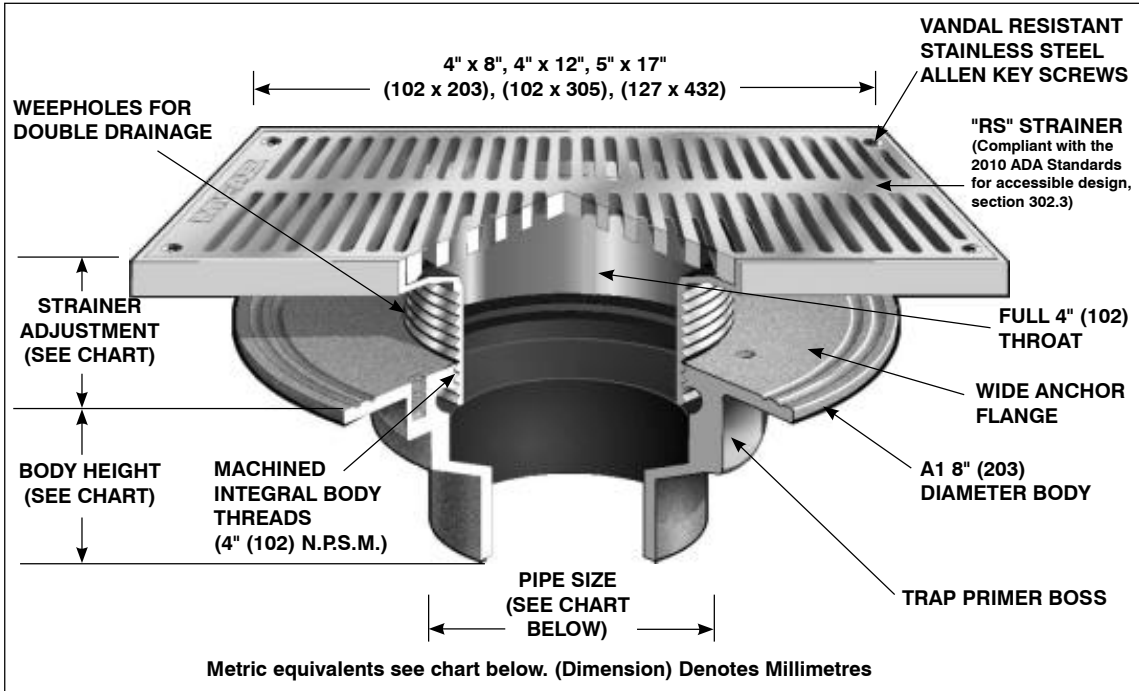


F1100-RS


FLOOR DRAIN WITH RECTANGULAR STRAINER FOR NON-MEMBRANE FLOOR AREAS

Specification: MIFAB® Series F1100-RS lacquered cast iron floor drain with anchor flange, weepholes, and "RS" (specify size) rectangular (specify material finish) strainer. (For membrane floors, use MIFAB F1100-C-RS Series.) Please note 5"x17" sized strainer available in stainless steel only. For RS48, grate style is different compared to larger model.


Function: Used in showers, gutters and other non-membrane finished areas where a large grate free area is required and limited width is available.



PARTS:



A1 BODY



RS48

RS(*)-(**)
 (*) Denotes Strainer Size (4"x8", 4"x12", or 5"x17")
 (**) Denotes Strainer Finish (-1 or -3)
 (-3 only for 5" x 17")

F1100-RS Series meets ANSI-ASME floor drain standard A112.6.3-2001

STRAINER SIZE	STRAINER ADJUSTMENT		ANSI/ASME RATING		PIPE SIZE	BODY HEIGHT				
			FREE AREA	LOAD RATING		NO HUB (STANDARD)	PUSH ON (P)	THREADED (T)	INSIDE CAULK (X)	PVC/ABS (-30)/(-31)
	MIN	MAX	N.B. (-1) / S.S. (-3)	LBS.						
4" x 8" (102 x 203)	1 1/2" (38)	2 5/8" (66)	11.0 in ² (7096 ²)	5000 to 7499 LBS.	2" (51)	3" (76)	3 3/8" (86)	2 1/4" (57)	3 3/4" (95)	2 15/16" (75)
					3" (76)	3" (76)	3 3/8" (86)	2 5/8" (67)	3 3/4" (95)	3 3/4" (95)
4" x 12" (102 x 305)	1 1/2" (38)	2 5/8" (66)	15 in ² (9677 ²)	5000 to 7499 LBS.	4" (102)	3" (76)	3 3/8" (86)	2 5/8" (67)	3 3/4" (95)	3 3/4" (95)
					5" (127)	3" (76)	--	2 5/8" (67)	3 3/4" (95)	--
5" x 17" (127 x 432)	1 1/2" (38)	2 5/8" (66)	18 in ² (11610 ²)	5000 to 7499 LBS.	6" (152)	3 1/4" (83)	6 1/2" (165)	--	--	--

- SUFFIX OPTIONAL VARIATIONS**
- 1 Nickel bronze strainer
 - 3 Stainless steel strainer
 - 5 Sediment bucket
 - 6 Security screws (T-20 Torx & pin)
 - 7 1/2" trap seal primer connection
 - 8 Backwater valve (2", 3", 4")
 - 11 Acid resistant epoxy coated body
 - 13 Galvanized body
 - 15 Extension
 - 21 Secondary flat stainless steel strainer (2", 3", 4")
 - 28 Stainless steel body (Type 304)
 - 30 PVC socket connection body
 - 31 ABS socket connection body
 - 34 Closure plug
 - 40 Underdeck clamp
 - 41 Sump receiver

- SUFFIX OPTIONAL VARIATIONS**
- 90NH No hub side outlet (2", 3", 4") (cast iron only)
 - 95 Client logo
 - BA Buy American Act compliant product
 - C Membrane clamp for low rough-in (min. 1/2" (13))
 - C2 High rough-in membrane clamp (min. 1 9/16" (40))
 - F4 4" Round funnel
 - F6 6" Round funnel
 - (Standard) No hub outlet
 - G Oval 4" x 9" funnel
 - J 6" x 3" x 1" funnel
 - MG MI-GARD Floor Drain Trap Sealer (2", 3" or 4")
 - P Push on outlet
 - PA Pennsylvania Steel Act compliant product
 - T Threaded outlet (2", 3", 4")
 - X Inside caulk outlet
 - Z Extended wide elastomeric flange

CALIFORNIA PROPOSITION 65 WARNING. This product contains chemicals known to the State of California to cause cancer and birth defects or other reproductive harm.

Job Name: _____ Page No: _____

Section No: _____ Contractor: _____

Schedule No: _____ Purchase Order No: _____