

Location: _____

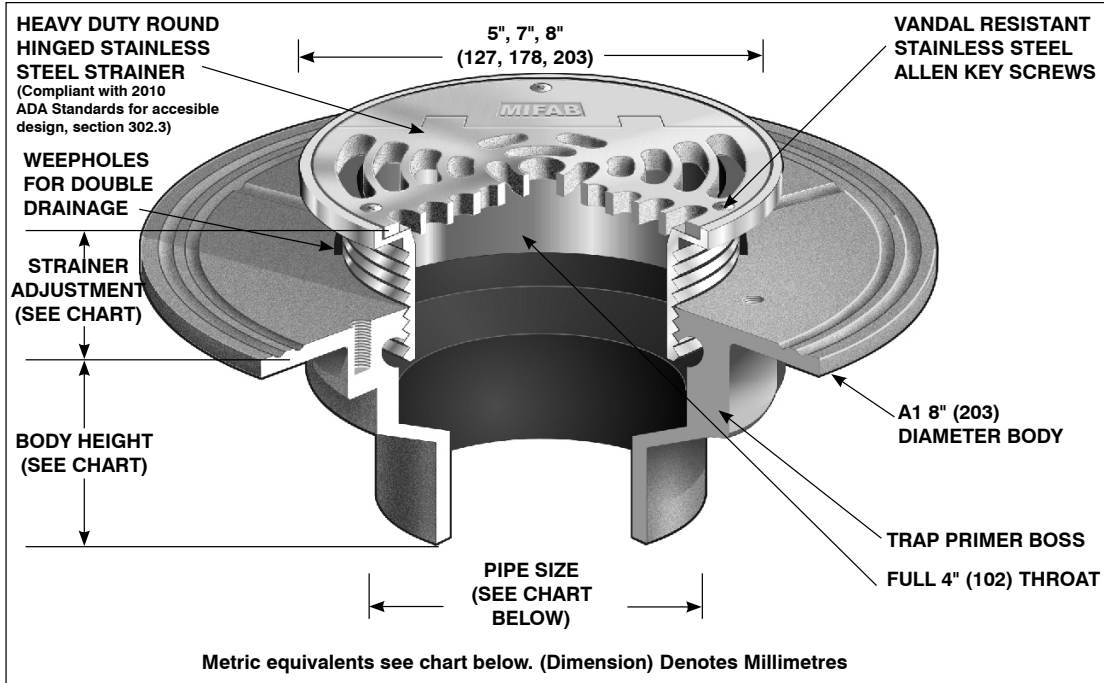


F1100-HG


FLOOR DRAIN WITH ROUND HINGED STRAINER FOR NON MEMBRANE FLOOR AREAS

Specification: MIFAB® Series F1100-(*)HG-3 (* specify strainer diameter) lacquered cast iron floor drain with anchor flange, weepholes, and hinged heavy duty, polished stainless steel strainer with vandal resistant stainless steel allen key screws. (For membrane floors, add -C to Series number).


Function: Used in showers, kitchens, restrooms and other non-membrane finished areas. Hinged grate ensures that grate is not lost during maintenance. Round adjustable stainless steel hinged strainer is used for all types of poured finished floors. Strainer will not dish or corrode and is foot friendly.



PARTS:



A1 BODY



(HG*-3)
(* Denotes Strainer Size)

F1100-HG Series meets
ANSI-ASME floor
drain standard
A112.6.3-2001

STRAINER SIZE	STRAINER ADJUSTMENT		ANSI/ASME RATING		PIPE SIZE	BODY HEIGHT				
			FREE AREA	LOAD RATING LBS. S.S. (-3)		NO HUB (STANDARD)	PUSH ON (P)	THREADED (T)	INSIDE CAULK (X)	PVC/ABS (-30)/(-31)
	MIN	MAX								
5" (127)	1/2" (13)	1 1/2" (38)	8 in ² (5800 ²)	5000 to 7499	2" (51)	3" (76)	3 3/8" (86)	2 1/4" (57)	3 3/4" (95)	2 15/16" (75)
7" (178)	9/16" (14)	1 9/16" (40)	12 in ² (7700 ²)	5000 to 7499	3" (76)	3" (76)	3 3/8" (86)	2 5/8" (67)	3 3/4" (95)	3 3/4" (95)
8" (203)	11/16" (40)	2 1/4" (57)	18 in ² (11600 ²)	5000 to 7499	4" (102)	3" (76)	3 3/8" (86)	2 5/8" (67)	3 3/4" (95)	3 3/4" (95)
					5" (127)	3" (76)	--	2 5/8" (67)	3 3/4" (95)	--
					6" (152)	3 1/4" (83)	6 1/2" (165)	--	--	--

SUFFIX OPTIONAL VARIATIONS

- 3 Stainless steel strainer and funnel
- 5 Sediment bucket
- 6 Security screws (T-20 Torx & pin)
- 7 1/2" trap seal primer connection
- 8 Backwater valve (2", 3", 4")
- 11 Acid resistant epoxy coated body
- 13 Galvanized body
- 15 Extension
- 21 Secondary flat stainless steel strainer (2", 3", 4")
- 28 Stainless steel body (Type 304)
- 30 PVC socket connection body
- 31 ABS socket connection body
- 34 Closure plug
- 40 Underdeck clamp
- 41 Sump receiver
- 49 Chrome plated strainer assembly

SUFFIX OPTIONAL VARIATIONS

- 90 Threaded side outlet (2", 3", 4") (cast iron only)
- 90NH No hub side outlet (2", 3", 4") (cast iron only)
- 95 Client logo
- BA Buy American Act compliant product
- C Membrane clamp for low rough-in (min. 1/2" (13))
- C2 High rough-in membrane clamp (min. 1 9/16" (40))
- F4 4" Round funnel
- F6 6" Round funnel
- (Standard) No hub outlet
- G Oval 4" x 9" funnel
- J 3" x 1" funnel
- MG MI-GARD Floor Drain Trap Sealer (2", 3" or 4")
- P Push on outlet
- PA Pennsylvania Steel Act compliant product
- T Threaded outlet (2", 3", 4")
- X Inside caulk outlet
- Z Extended wide elastomeric flange

CALIFORNIA PROPOSITION 65 WARNING. This product contains chemicals known to the State of California to cause cancer and birth defects or other reproductive harm.

Job Name: _____ Page No: _____
 Section No: _____ Contractor: _____
 Schedule No: _____ Purchase Order No: _____