

Location: _____

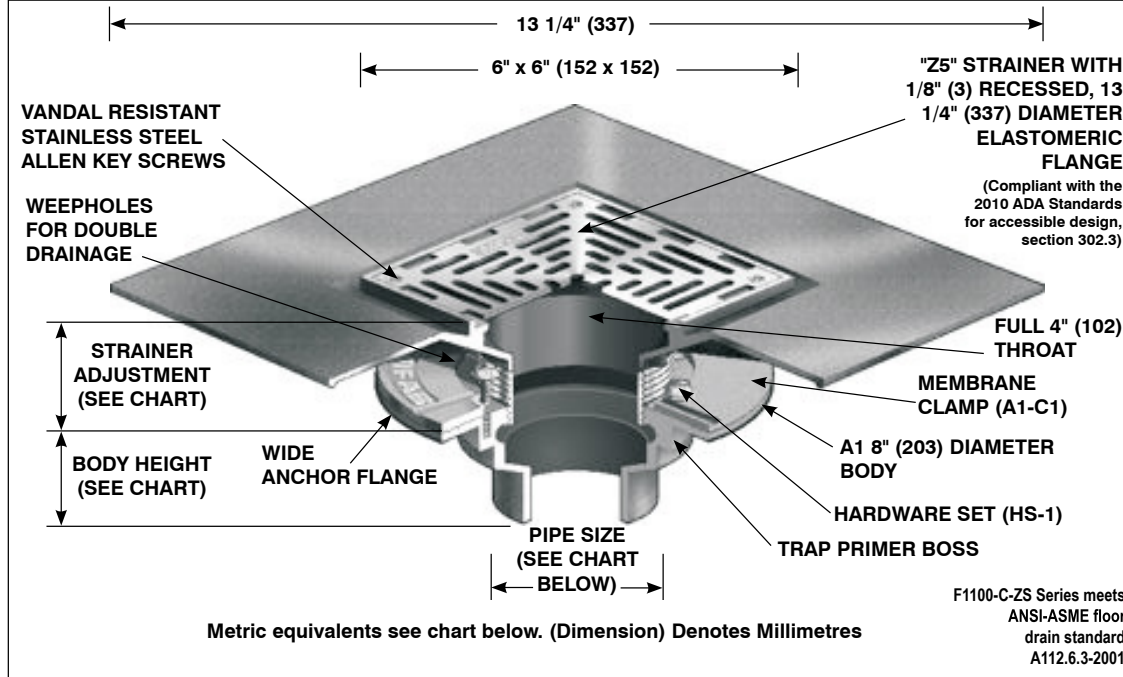


F1100-C-ZS

FLOOR DRAIN WITH SQUARE STRAINER AND ELASTOMERIC FLANGE MEMBRANE FLOOR AREAS

Specification: MIFAB® Series F1100-C-ZS lacquered cast iron floor drain with anchor flange and 1/8" (3) recessed, 13 1/4" (337) square elastomeric flange, cast iron membrane clamp ring with primary and secondary weepholes for waterproofing membrane, and standard reinforced 6" x 6" (152 x 152) square strainer. (For non-membrane floors, use MIFAB F1100-ZS Series.)

Function: Used in showers, kitchens, restrooms and other membrane finished areas. Wide cast iron anchor flange provides large surface area for traffic bearing deck covering. Integral flange is set 1/8" below grate. Square adjustable strainer is used for floors that are finished of material or straight line patterns. Membrane clamp is provided to secure the waterproofing membrane.



PARTS:



A1 BODY



ZS-(*)
(*) Denotes Strainer Finish (-1 or -3)



A1-C1



HS-1

STRAINER DIAMETER	STRAINER ADJUSTMENT		ANSI/ASME RATING			PIPE SIZE	BODY HEIGHT				
			FREE AREA	LOAD RATING			NO HUB (STANDARD)	PUSH ON (P)	THREADED (T)	INSIDE CAULK (X)	PVC/ABS (-30)/(-31)
	N.B. (-1)	S.S. (-3)		MIN	MAX						
6" x 6" (152 x 152)	7/8" (22)	1 9/16" (40)	12 in ² (7700 ²)	UP TO	5000-	2" (51)	3" (76)	3 3/8" (86)	2 1/4" (57)	3 3/4" (95)	2 15/16" (75)
				2,000	7499	3" (76)	3" (76)	3 3/8" (86)	2 5/8" (67)	3 3/4" (95)	3 3/4" (95)
				LBS.	LBS.	4" (102)	3" (76)	3 3/8" (86)	2 5/8" (67)	3 3/4" (95)	3 3/4" (95)
						5" (127)	3" (76)	--	2 5/8" (67)	3 3/4" (95)	--
						6" (152)	3 1/4" (83)	6 1/2" (165)	--	--	--

SUFFIX OPTIONAL VARIATIONS

- 1 Nickel bronze strainer (standard)
- 3 Stainless steel strainer
- 5 Sediment bucket
- 6 Security screws (T-20 Torx & pin)
- 7 1/2" trap seal primer connection
- 8 Backwater valve (2", 3", 4")
- 11 Acid resistant epoxy coated body
- 13 Galvanized body
- 15 Extension
- 21 Secondary flat stainless steel strainer (2", 3", 4")
- 28 Stainless steel body (Type 304)
- 30 PVC socket connection body
- 31 ABS socket connection body
- 34 Closure plug
- 40 Underdeck clamp
- 41 Sump receiver
- 90 Threaded side outlet (2", 3", 4") (cast iron only)

SUFFIX OPTIONAL VARIATIONS

- 90NH No hub side outlet (2", 3", 4") (cast iron only)
- 95 Client logo
- BA Buy American Act compliant product
- C2 High rough-in membrane clamp (min. 1 9/16" (40))
- F4 4" Round funnel
- F6 6" Round funnel
- (Standard) No hub outlet
- G Oval 4" x 9" funnel
- J 6" x 3" x 1" funnel
- MG MI-GARD Floor Drain Trap Sealer (2", 3" or 4")
- P Push on outlet
- PA Pennsylvania Steel Act compliant product
- T Threaded outlet (2", 3", 4")
- X Inside caulk outlet
- Z Extended wide elastomeric flange

CALIFORNIA PROPOSITION 65 WARNING. This product contains chemicals known to the State of California to cause cancer and birth defects or other reproductive harm.

Job Name: _____ Page No: _____

Section No: _____ Contractor: _____

Schedule No: _____ Purchase Order No: _____