

Location: \_\_\_\_\_

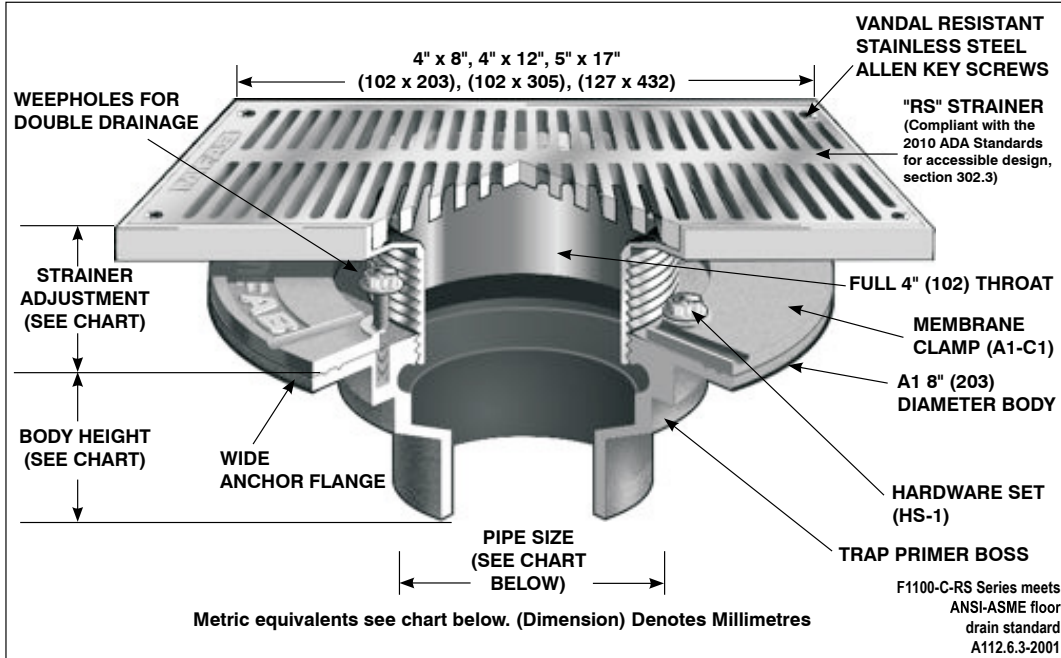


# F1100-C-RS


## FLOOR DRAIN WITH RECTANGULAR STRAINER FOR MEMBRANE FLOOR AREAS

**Specification:** MIFAB® Series F1100-C-RS lacquered cast iron floor drain with anchor flange, cast iron membrane clamp ring with primary and secondary weepholes for waterproofing membrane, and "RS" (specify size) rectangular (specify material finish) strainer. (For non-membrane floors, use MIFAB F1100-RS Series.) Please note 5"x17" sized strainer available in stainless steel only. For RS48, grate style is different compared to larger model.


**Function:** Used in showers, gutters and other membrane finished areas where a large grate free area is required and limited width is available. Membrane clamp is provided to secure the waterproofing membrane.



**PARTS:**




A1 BODY




RS48

RS(\*)-(\*\*)  
(\*) Denotes Strainer Size (4"x8", 4"x12", or 5"x17")  
(\*\*) Denotes Strainer Finish (-1 or -3)  
(-3 only for 5" x 17")



A1-C1



HS-1

F1100-C-RS Series meets ANSI-ASME floor drain standard A112.6.3-2001

STRAINER SIZE	STRAINER ADJUSTMENT		ANSI/ASME RATING		PIPE SIZE	BODY HEIGHT				
	MIN	MAX	FREE AREA	LOAD RATING N.B. (-1) / S.S. (-3)		NO HUB (STANDARD)	PUSH ON (P)	THREADED (T)	INSIDE CAULK (X)	PVC/ABS (-30)/(-31)
4" x 8" (102 x 203)	1 1/2" (38)	2 5/8" (66)	11.0 in <sup>2</sup> (7096 <sup>2</sup> )	5000 to 7499 LBS.	2" (51) 3" (76)	3" (76) 3" (76)	3 3/8" (86) 3 3/8" (86)	2 1/4" (57) 2 5/8" (67)	3 3/4" (95) 3 3/4" (95)	2 15/16" (75) 3 3/4" (95)
4" x 12" (102 x 305)	1 1/2" (38)	2 5/8" (66)	15 in <sup>2</sup> (9677 <sup>2</sup> )	5000 to 7499 LBS.	4" (102) 5" (127)	3" (76) 3" (76)	3 3/8" (86) --	2 5/8" (67) 2 5/8" (67)	3 3/4" (95) 3 3/4" (95)	3 3/4" (95) --
5" x 17" (127 x 432)	1 1/2" (38)	2 5/8" (66)	18 in <sup>2</sup> (11610 <sup>2</sup> )	5000 to 7499 LBS.	6" (152)	3 1/4" (83)	6 1/2" (165)	--	--	--

**SUFFIX OPTIONAL VARIATIONS**

- 1 Nickel bronze strainer
- 3 Stainless steel strainer (veneer for 9")
- 5 Sediment bucket
- 6 Security screws (T-20 Torx & pin)
- 7 1/2" trap seal primer connection
- 8 Backwater valve (2", 3", 4")
- 11 Acid resistant epoxy coated body
- 13 Galvanized body
- 15 Extension
- 21 Secondary flat stainless steel strainer (2", 3", 4")
- 28 Stainless steel body (Type 304)
- 30 PVC socket connection body
- 31 ABS socket connection body
- 34 Closure plug
- 40 Underdeck clamp
- 41 Sump receiver

**SUFFIX OPTIONAL VARIATIONS**

- 90 Threaded side outlet (2", 3", 4") (cast iron only)
- 90NH No hub side outlet (2", 3", 4") (cast iron only)
- 95 Client logo
- BA Buy American Act compliant product
- C2 High rough-in membrane clamp (min. 1 9/16" (40))
- F4 4" Round funnel
- F6 6" Round funnel
- (Standard) No hub outlet
- G Oval 4" x 9" funnel
- J 3" x 1" funnel
- MG MI-GARD Floor Drain Trap Sealer (2", 3" or 4")
- P Push on outlet
- PA Pennsylvania Steel Act compliant product
- T Threaded outlet (2", 3", 4")
- X Inside caulk outlet
- Z Extended wide elastomeric flange

CALIFORNIA PROPOSITION 65 WARNING. This product contains chemicals known to the State of California to cause cancer and birth defects or other reproductive harm.

Job Name: \_\_\_\_\_ Page No: \_\_\_\_\_

Section No: \_\_\_\_\_ Contractor: \_\_\_\_\_

Schedule No: \_\_\_\_\_ Purchase Order No: \_\_\_\_\_