

Location: _____

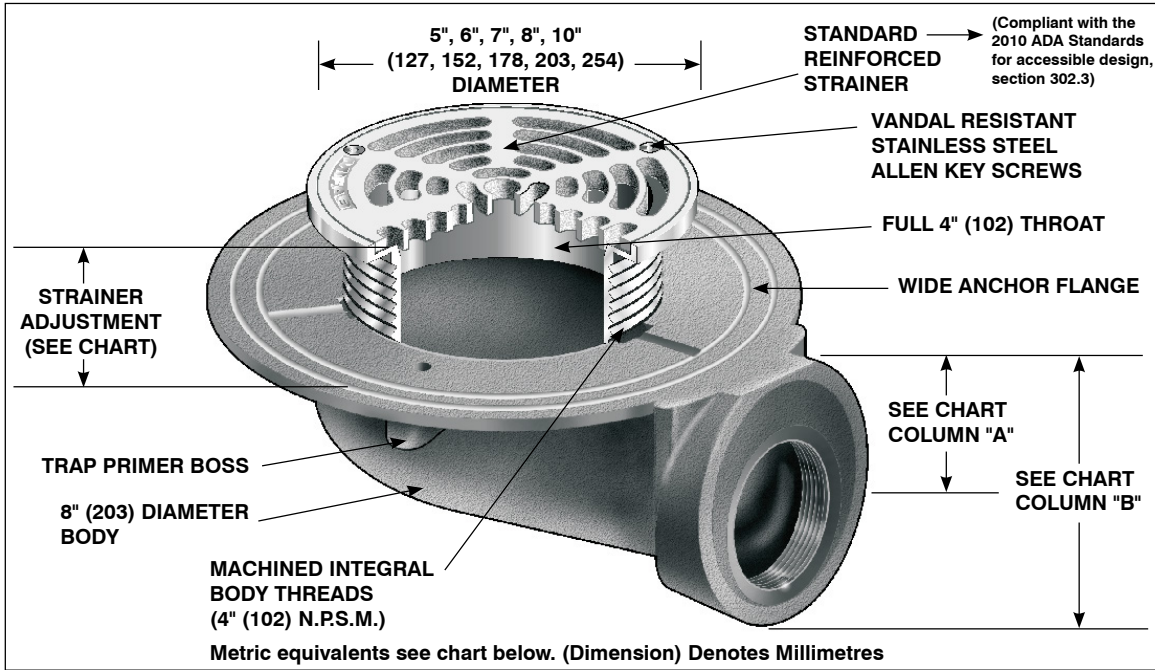


F1100-90

FLOOR DRAIN WITH SIDE OUTLET FOR NON-MEMBRANE FLOOR AREAS

Specification: MIFAB® Series F1100-90 lacquered cast iron floor drain with anchor flange, weepholes, threaded side outlet, and standard reinforced (specify diameter), (specify strainer finish) strainer. (For membrane floors, use MIFAB F1100-C-90 Series.)

Function: Used in showers, kitchens, restrooms and other non-membrane finished areas where shallow side outlet body connection is required. Round adjustable strainer is used for all types of poured finished floors.



PARTS:



A1-(*)T-90
(*) Denotes Outlet Connection Size (2", 3" or 4")



(*)-(**)
(*) Denotes Strainer Diameter (5", 6", 7", 8" or 10")
(**) Denotes Strainer Finish (-1, -3 or -4)

F1100-90 Series meets ANSI-ASME floor drain standard A112.6.3-2001

STRAINER DIAMETER	STRAINER ADJUSTMENT		ANSI/ASME RATING				PIPE SIZE	BODY HEIGHT	
			FREE AREA	LOAD RATING				A	B
				N.B. (-1)	S.S. (-3)	D.I. (-4)			
5" (127)	1/2" (13)	1 1/2" (38)	8 in ² (5200 ²)	UP TO 2,000 LBS.	5000-7499 LBS.	UP TO 7,499 LBS.	2" (51)	2 15/16" (75)	3 7/8" (98)
6" (152)	11/16" (17)	1 1/2" (38)	9 in ² (5800 ²)	UP TO 2,000 LBS.	5000-7499 LBS.	--	3" (76) 4" (102)	3" (76) 3 1/4" (83)	4 3/8" (111) 4 3/8" (111)
7" (178)	9/16" (14)	1 9/16" (40)	12 in ² (7700 ²)	UP TO 2,000 LBS.	5000-7499 LBS.	--			
8" (203)	11/16" (32)	2 1/4" (57)	18 in ² (11600 ²)	--	5000-7499 LBS.	UP TO 10000 LBS.			
10" (254)	1 1/16" (17)	2 1/4" (57)	26 in ² (17170 ²)	--	5000-7499 LBS.	--			

SUFFIX OPTIONAL VARIATIONS

- 1 Nickel bronze strainer (standard)
- 3 Stainless steel strainer
- 4 Ductile iron strainer (5", 8" only)
- 5 Sediment bucket
- 6 Security screws (T-20 Torx & pin)
- 7 1/2" trap seal primer connection
- 8 Backwater valve (2", 3", 4")
- 11 Acid resistant epoxy coated body
- 13 Galvanized body
- 15 Extension
- 21 Secondary flat stainless steel strainer (2", 3", 4")
- 34 Closure plug
- 40 Underdeck clamp
- 41 Sump receiver
- 49 Chrome plated strainer

SUFFIX OPTIONAL VARIATIONS

- 50 Lacquered cast iron funnel
- 90 Threaded side outlet (2", 3", 4") (cast iron only)
- 95 Client logo
- BA Buy American Act compliant product
- C Membrane clamp for low rough-in (min. 1/2" (13))
- C2 High rough-in membrane clamp (min. 1 9/16" (40))
- F4 4" Round funnel
- F6 6" Round funnel
- G Oval 4" x 9" funnel
- J 6" x 3" x 1" funnel
- MG MI-GARD Floor Drain Trap Sealer (2", 3" or 4")
- NH No hub side outlet
- P Push on outlet
- PA Pennsylvania Steel Act compliant product
- Z Extended wide elastomeric flange

Job Name: _____ Page No: _____

Section No: _____ Contractor: _____

Schedule No: _____ Purchase Order No: _____