

Location: \_\_\_\_\_

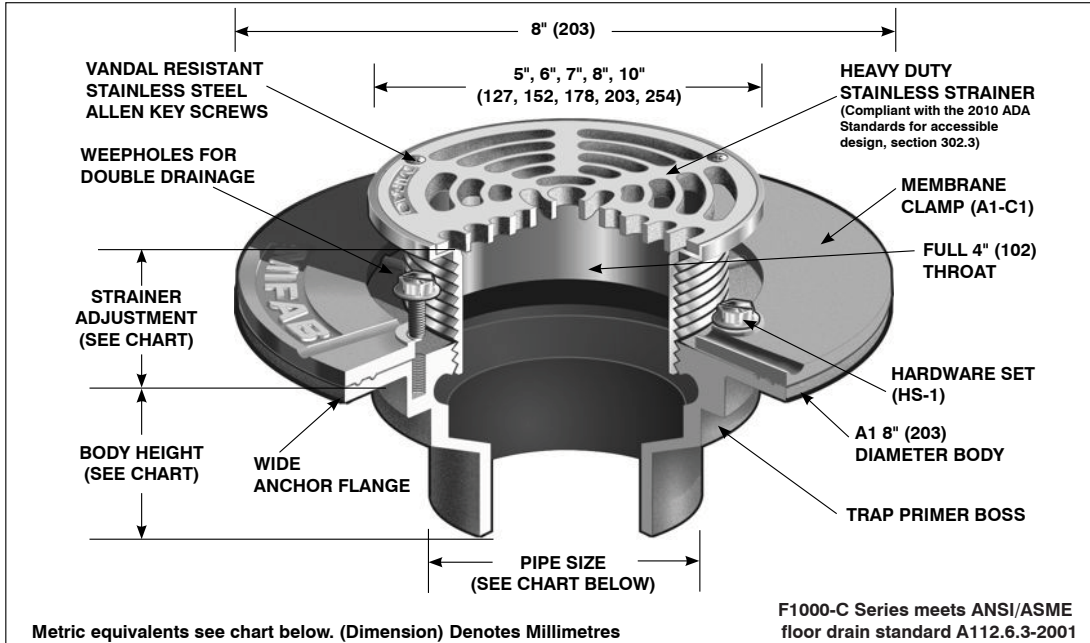


# F1000-C


## FLOOR DRAIN WITH HEAVY DUTY STAINLESS STEEL STRAINER AND MEMBRANE CLAMP

**Specification:** MIFAB® Series F1000-C-(\*)-3 (\* specify strainer diameter) lacquered cast iron floor drain with anchor flange, weepholes, membrane clamp, and standard heavy duty, polished stainless steel strainer.


**Function:** Used in showers, kitchens, restrooms, and other membrane finished areas. Round adjustable stainless steel strainer is used for all types of poured finished floors. Strainer will not dish or corrode and is foot friendly.




**PARTS:**




A1 BODY



(\* )-3  
(\* ) Denotes Strainer Size



A1-C1



HS-1

STRAINER DIAMETER	STRAINER ADJUSTMENT		ANSI/ASME RATING		PIPE SIZE	BODY HEIGHT					
	MIN	MAX	FREE AREA	LOAD RATING (Lbs.)		NO HUB (STANDARD)	PUSH ON (P)	THREADED (T)	INSIDE CAULK (X)	PVC/ABS (-30)/(-31)	
				N.B. (-1)							S.S. (-3)
5" (127)	1/2" (38)	1 1/2" (38)	8 in <sup>2</sup> (52002)	Up To 2000	5000 To 749	2" (51)	3" (76)	3 3/8" (86)	2 1/4" (57)	3 3/4" (95)	2 15/16" (75)
6" (152)	11/16" (17)	1 1/2" (38)	9 in <sup>2</sup> (58002)	Up To 2000	5000 To 7499	3" (76)	3" (76)	3 3/8" (86)	2 5/8" (67)	3 3/4" (95)	3 3/4" (95)
7" (178)	9/16" (14)	1 9/16" (40)	12 in <sup>2</sup> (77002)	Up To 2000	5000 To 7499	4" (102)	3" (76)	3 3/8" (86)	2 5/8" (67)	3 3/4" (95)	3 3/4" (95)
8" (203)	1 1/16" (17)	2 1/4" (57)	18 in <sup>2</sup> (116002)	Up To 2000	5000 To 7499	5" (127)	3" (76)	--	2 5/8" (67)	3 3/4" (95)	--
10" (254)	1 1/16" (17)	2 1/4" (57)	26 in <sup>2</sup> (171702)	Up To 2000	5000 To 7499	6" (152)	3 1/4" (83)	6 1/2" (165)	--	--	--

SUFFIX	OPTIONAL VARIATIONS
-3	Stainless steel strainer
-5	Sediment bucket
-6	Security screws (T-20 Torx & pin)
-7	1/2" trap seal primer connection
-8	Backwater valve (2", 3", 4")
-11	Acid resistant epoxy coated body
-13	Galvanized body
-15	Extension
-21	Secondary flat stainless steel strainer (2", 3", 4")
-28	Stainless steel body (Type 304)
-30	PVC socket connection body
-31	ABS socket connection body
-34	Closure plug
-40	Underdeck clamp
-41	Sump receiver

-90	Threaded side outlet (2", 3", 4")
-90NH	No hub side outlet (2", 3", 4")
-95	Client logo
-BA	Buy American Act compliant product
-C2	High rough-in membrane clamp (min. 1 9/16" (40))
-F4	4" Round funnel
-F6	6" Round funnel
-G	Oval 4" x 9" funnel
-HP	Heel proof grate (1/4" maximum grate opening size, -3 only)
-J	6" x 3" x 1" funnel
-MG	MI-GARD Floor Drain Trap Sealer (2", 3" or 4")
P	Push on outlet
-PA	Pennsylvania Steel Act compliant product
T	Threaded outlet (2", 3", 4")
X	Inside caulk outlet
-Z	Extended wide elastomeric flange

CALIFORNIA PROPOSITION 65 WARNING. This product contains chemicals known to the State of California to cause cancer and birth defects or other reproductive harm.

Job Name: \_\_\_\_\_ Page No: \_\_\_\_\_  
 Section No: \_\_\_\_\_ Contractor: \_\_\_\_\_  
 Schedule No: \_\_\_\_\_ Purchase Order No: \_\_\_\_\_