



CERTIFIED
MANAGEMENT SYSTEM
ISO 9001:2015

DB-2018

Go to
www.mifab.com
for the most
current product
specification
sheets.



Dialysis Boxes LIT-070

TERMS AND WARRANTIES

WHOLESALE DISCOUNT:

Contact MIFAB® or your local representative for your applicable discount structure.

FREIGHT ALLOWANCE: Ex Works, MIFAB's Chicago, Illinois Factory or Manufacturer Representative's warehouse with full motor freight allowed on shipments of \$5,000.00 Net or more, within the continental U.S.A. and Canada, except Alaska, Hawaii and Puerto Rico. MIFAB reserves the right to choose the carrier and route of shipment. Alaska: Ex Works, Seattle, WA. Hawaii: Freight allowed on shipments of \$5,000.00 or more only when shipped from West Coast, U.S. Puerto Rico: Ex Works, Miami, Florida. There is no allowance for United Parcel Service, Federal Express or Shipment by air service. Shipping dates are estimates and time of delivery is not the essence of the sale of the contract. Therefore, under no circumstances will MIFAB® have any responsibility on account of any delays in manufacture, transportation, or otherwise. Additional freight services such as construction site delivery, lift gate delivery service, re-consigned freight or notification charges, are not included in full freight allowance terms, and will result in additional freight charges.

QUOTATION TERMS: List Price and discount protected for 30 days from date issued by MIFAB®. Orders received within this period must be released for shipment within 30 days from date of purchase order, otherwise, prices will be those that are in effect at the time of shipment.

PAYMENT TERMS: Terms of payment are Net 30 days from the date of the invoice. All pricing in United States currency except for sales to Canadian customers which are priced in Canadian dollars. The Buyer shall pay all sales, consumers, and / or any other applicable taxes. Past due accounts will be subject to a 2% per month service charge from the date of the invoice. If any proceedings be instructed by or against Buyer under any bankruptcy or insolvency law, or if Buyer shall fail to make timely payment on this or any other order, or if, in MIFAB's judgment, Buyer's financial situation justifies such action, MIFAB® may, at its election, require payment in advance or cancel the order as to any unshipped item and require payment of its reasonable cancellation charges. If Buyer delays completion of manufacture, MIFAB® may elect to require payment according to percentage of completion. Equipment held for Buyer shall be at Buyer's risk and expense. In all cases, regardless of partial payment, title to the Products shall remain with MIFAB® until payment for the Products (including any notes given therefore) has been made in full. Should legal action be necessary to enforce payment of an unpaid invoice, the Buyer will assume full responsibility for any court costs and reasonable attorney fees. All orders subject to credit check and approval prior to shipment. Confirmed irrevocable letter of credit or cash in advance of shipment is required for accounts without an established line of credit. Minimum invoice amount is \$100.00. MIFAB® reserves the right to apply a minimum order charge to equal \$100.00. MIFAB's Accounting Department must be notified of potential pricing errors within 30 days of the invoice date. Any terms and conditions stated on Buyer's orders which are inconsistent with MIFAB's quotation and Terms and Warranties shall be of no effect.

RETURNED GOODS RESTOCKING CHARGE: Standard product may be returned within a one year period only with written permission from MIFAB®. All products in catalog are not considered Standard. Standard product to be determined by MIFAB®. Returned goods are subject to a 25% restocking charge, plus cost of reconditioning, if necessary, to make material saleable. Material must be returned to MIFAB® freight prepaid only after written permission from MIFAB® to accept the returned material. Buyer must provide copy of the original invoice on which the material was charged. The original outgoing freight cost to ship the order will be deducted from the credit. Credit allowance will be in the form of merchandise credit only-not cash credit which must be used within 12 months of the date of issue. The value of a return must total \$100.00 to qualify for credit allowance. Galvanized and acid resistant epoxy coated material will be credited to value of cast iron, and chrome plated at value of nickel bronze. No credit will be allowed for auxiliary tapings, discontinued, or made to order items. Products designated non stock and / or that have been specially made (require a sign off drawing by MIFAB®) are not subject to return or cancellation.

LIMITED WARRANTY: MIFAB® warrants each product against defects in material and workmanship for a period of one year from the date of original shipment. In the event of such defects within the warranty period, MIFAB® will, at its option, replace or recondition the product without charge. This shall constitute the exclusive remedy for breach of warranty, and MIFAB® shall not be responsible for any incidental or consequential damages, including, without limitation, damages or other costs resulting from labor charges, delays, vandalism, negligence, fouling caused by foreign material, damage from adverse water conditions, chemicals, or any other circumstances over which MIFAB® has no control. This warranty shall be invalidated by any abuse, misuse, misapplication or improper installation of the product.

MIFAB® MAKES NO OTHER WARRANTIES EXPRESSED OR IMPLIED AS PROVIDED IN THIS LIMITED WARRANTY.

ILLUSTRATIONS OR TYPICAL INSTALLATIONS: The typical installations for various products in each product section are intended to illustrate the products and their options. Under no circumstances are they to be construed as recommended installation procedures. Consult local codes and project specifications for proper installation instructions.

ALL SALES SUBJECT TO MIFAB's TERMS AND WARRANTIES.

NOTE: Prices and terms are subject to change without notice and supersede all previous quotations. The right is reserved to change or modify product design or construction without prior notice and without incurring any obligation to make similar changes and modifications to product previously or subsequently sold. Contact MIFAB® for any clarification.

CONTENTS © MIFAB® INC. Copyright 2018

TABLE OF CONTENTS

PAGE NO.

MI-DIAL2
STAINLESS STEEL SUPPLY & WASTE DIALYSIS BOX WITH ONE VALVE & DOOR

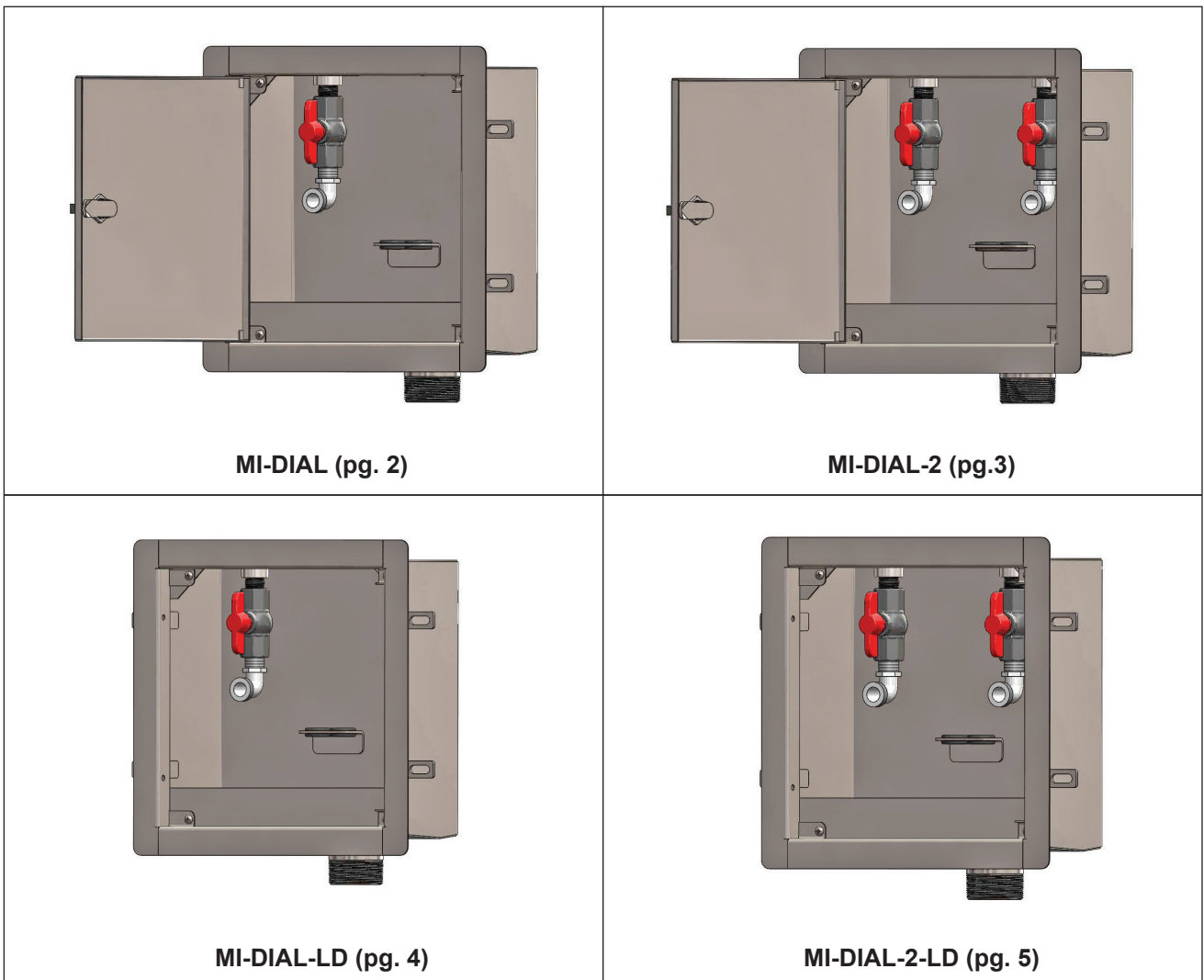
MI-DIAL-23
STAINLESS STEEL SUPPLY & WASTE DIALYSIS BOX WITH TWO VALVES & DOOR

MI-DIAL-LD4
STAINLESS STEEL SUPPLY & WASTE DIALYSIS BOX WITH ONE VALVE (NO DOOR)

MI-DIAL-2-LD5
STAINLESS STEEL SUPPLY & WASTE DIALYSIS BOX WITH TWO VALVES (NO DOOR)

LIST PRICES6
MI-DIAL, MI-DIAL-2, MI-DIAL-LD, MI-DIAL-2-LD

PICTORIAL INDEX



MI-DIAL (pg. 2)

MI-DIAL-2 (pg.3)

MI-DIAL-LD (pg. 4)

MI-DIAL-2-LD (pg. 5)

Design and dimensions are subject to modification. Prices do not include applicable taxes. Visit www.mifab.com for the most recent product information.

MIFAB®, Inc., 1321 West 119th Street, Chicago, Illinois 60643-5109, USA
All sales subject to MIFAB's® Terms and Warranties. Please refer to inside front cover.

USA Toll Free: 1-800-465-2736 • Fax: 1-773-341-3049
Canada Toll Free: 1-800-387-3880 • sales@mifab.com

Location: _____



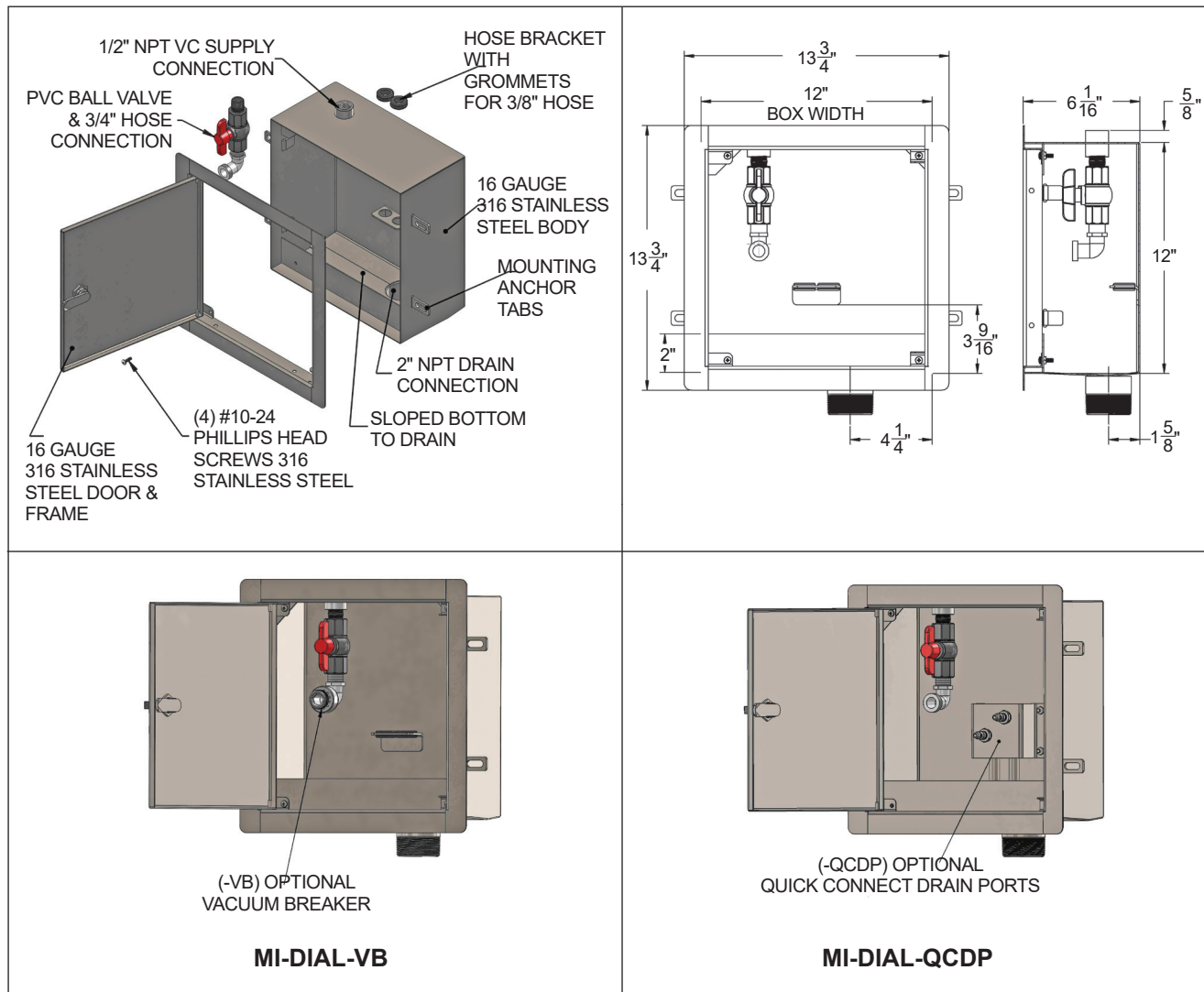
MI-DIAL

STAINLESS STEEL SUPPLY & WASTE DIALYSIS BOX WITH ONE VALVE & DOOR



SPECIFICATION: MIFAB® MI-DIAL supply and waste dialysis box is constructed of 16 gauge, Type 316 stainless steel (satin finish) continuous welded corners, four mounting anchor tabs, and removable finishing frame and door, one 1/2" NPT PVC supply connection with PVC ball valve and 3/4" hose connection. Bracket with grommets for two 3/8" diameter hose, and 2" stainless steel drain connection with sloped bottom.

FUNCTION: MIFAB's Stainless Steel supply and waste dialysis boxes are designed for use with dialysis machines that use RO (reverse osmosis) and DI (deionized) water, mixed with dialysate saline concentrate. This water corrodes steel, some stainless steels, cast iron, copper and brass metals regularly used in supply and waste systems. There are two types of dialysis machines. One type mixes dialysate into the RO-DI water inside the machine and the other requires pre-mixed water. When the first type is used, MIFAB's single valve models (MI-DIAL) are satisfactory. When the second type is used, MIFAB's two valve models (MI-DIAL-2) are required. Stainless steel door and frame assembly is provided to cover the internal valves and connections within the box.



OPTIONAL VARIATIONS:

- 304PB Type 304 stainless steel box (instead of Type 316)
- 304PF Type 304 stainless steel supply fittings with bronze ball valve
- VB Bronze vacuum breaker with 3/4" hose connection on supply line
- QCDP 1/4" quick connect drain port connections (Type 304 stainless steel)
- RF Round front stainless steel door (instead of a flat door)
- CS Custom box size (specify dimensions required. MIFAB can manufacture MI-DIAL dialysis boxes to any dimensions required).

Location: _____



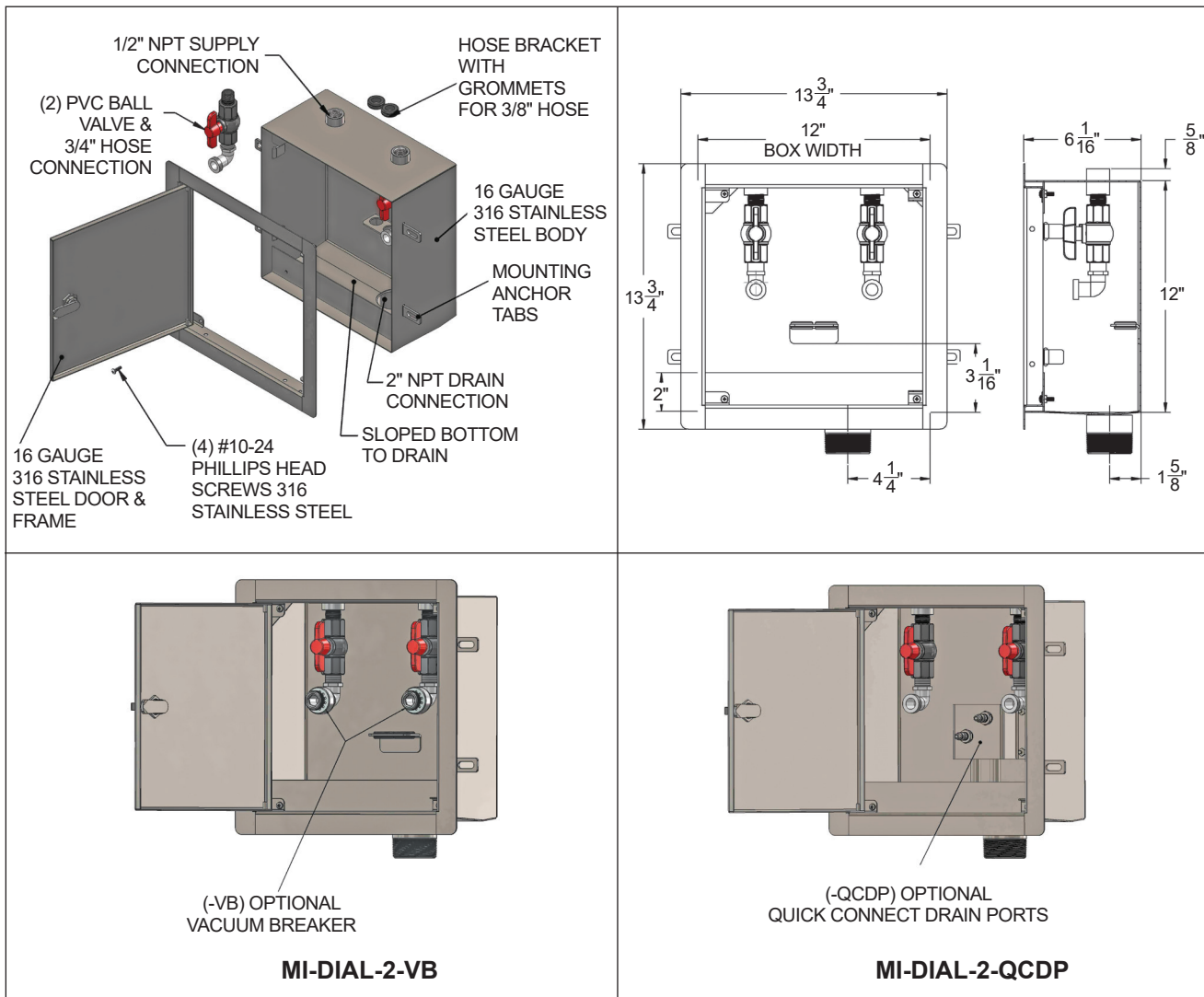
MI-DIAL-2

STAINLESS STEEL SUPPLY & WASTE DIALYSIS BOX WITH TWO VALVES & DOOR



SPECIFICATION: MIFAB® MI-DIAL-2 supply and waste dialysis box is constructed of 16 gauge, Type 316 stainless steel (satin finish), continuous welded corners, four mounting anchor tabs, and removable finishing frame and door, two 1/2" NPT PVC supply connections with PVC ball valves and 3/4" hose connections. Bracket with grommets for two 3/8" diameter hose and 2" stainless steel drain connection with sloped bottom.

FUNCTION: MIFAB's Stainless Steel supply and waste dialysis boxes are designed for use with dialysis machines that use RO (reverse osmosis) and DI (deionized) water, mixed with dialysate saline concentrate. This water corrodes steel, some stainless steels, cast iron, copper and brass metals regularly used in supply and waste systems. There are two types of dialysis machines. One type mixes dialysate into the RO-DI water inside the machine and the other requires pre-mixed water. When the first type is used, MIFAB's single valve models (MI-DIAL) are satisfactory. When the second type is used, MIFAB's two valve models (MI-DIAL-2) are required. Stainless steel door and frame assembly is provided to cover the internal valves and connections within the box.



OPTIONAL VARIATIONS:

- 304PB Type 304 stainless steel box (instead of Type 316)
- 304PF Type 304 stainless steel supply fittings with bronze ball valve
- VB Bronze vacuum breaker with 3/4" hose connection on supply line
- QCDP 1/4" quick connect drain port connections (Type 304 stainless steel)
- RF Round front stainless steel door (instead of a flat door)
- CS Custom box size (specify dimensions required. MIFAB can manufacture MI-DIAL dialysis boxes to any dimensions required).

Design and dimensions are subject to modification. Prices do not include applicable taxes. Visit www.mifab.com for the most recent product information.

MIFAB®, Inc., 1321 West 119th Street, Chicago, Illinois 60643-5109, USA
All sales subject to MIFAB's® Terms and Warranties. Please refer to inside front cover.

USA Toll Free: 1-800-465-2736 • Fax: 1-773-341-3049
Canada Toll Free: 1-800-387-3880 • sales@mifab.com

Location: _____



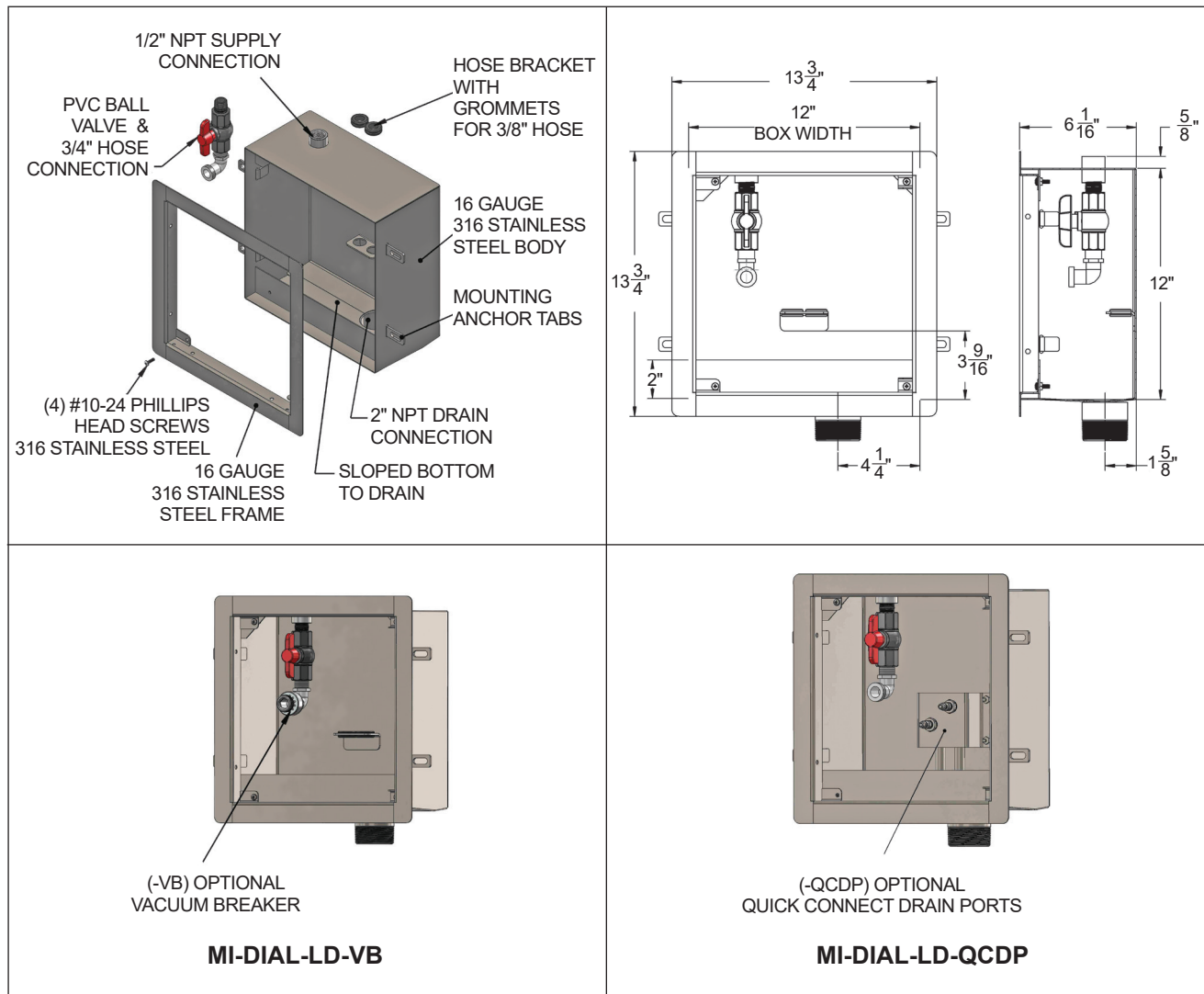
MI-DIAL-LD

STAINLESS STEEL SUPPLY & WASTE DIALYSIS BOX WITH ONE VALVE (NO DOOR)



SPECIFICATION: MIFAB® MI-DIAL-LD supply and waste dialysis box is constructed of 16 gauge, Type 316 stainless steel (satin finish), continuous welded corners, four mounting anchor tabs, one 1/2" NPT PVC supply connection with PVC ball valve and 3/4" hose connection. Bracket with grommets for two 3/8" diameter hose and 2" stainless steel drain connection with sloped bottom.

FUNCTION: MIFAB's Stainless Steel supply and waste dialysis boxes are designed for use with dialysis machines that use RO (reverse osmosis) and DI (deionized) water, mixed with dialysate saline concentrate. This water corrodes steel, some stainless steels, cast iron, copper and brass metals regularly used in supply and waste systems. There are two types of dialysis machines. One type mixes dialysate into the RO-DI water inside the machine and the other requires pre-mixed water. When the first type is used, MIFAB's single valve models (MI-DIAL) are satisfactory. When the second type is used, MIFAB's two valve models (MI-DIAL-2) are required.



OPTIONAL VARIATIONS:

- 304PB Type 304 stainless steel box (instead of Type 316)
- 304PF Type 304 stainless steel supply fittings with bronze ball valve
- VB Bronze vacuum breaker with 3/4" hose connection on supply line
- QCDP 1/4" quick connect drain port connections (Type 304 stainless steel)
- RF Round front stainless steel door (instead of a flat door)
- CS Custom box size (specify dimensions required. MIFAB can manufacture MI-DIAL dialysis boxes to any dimensions required).

Location: _____



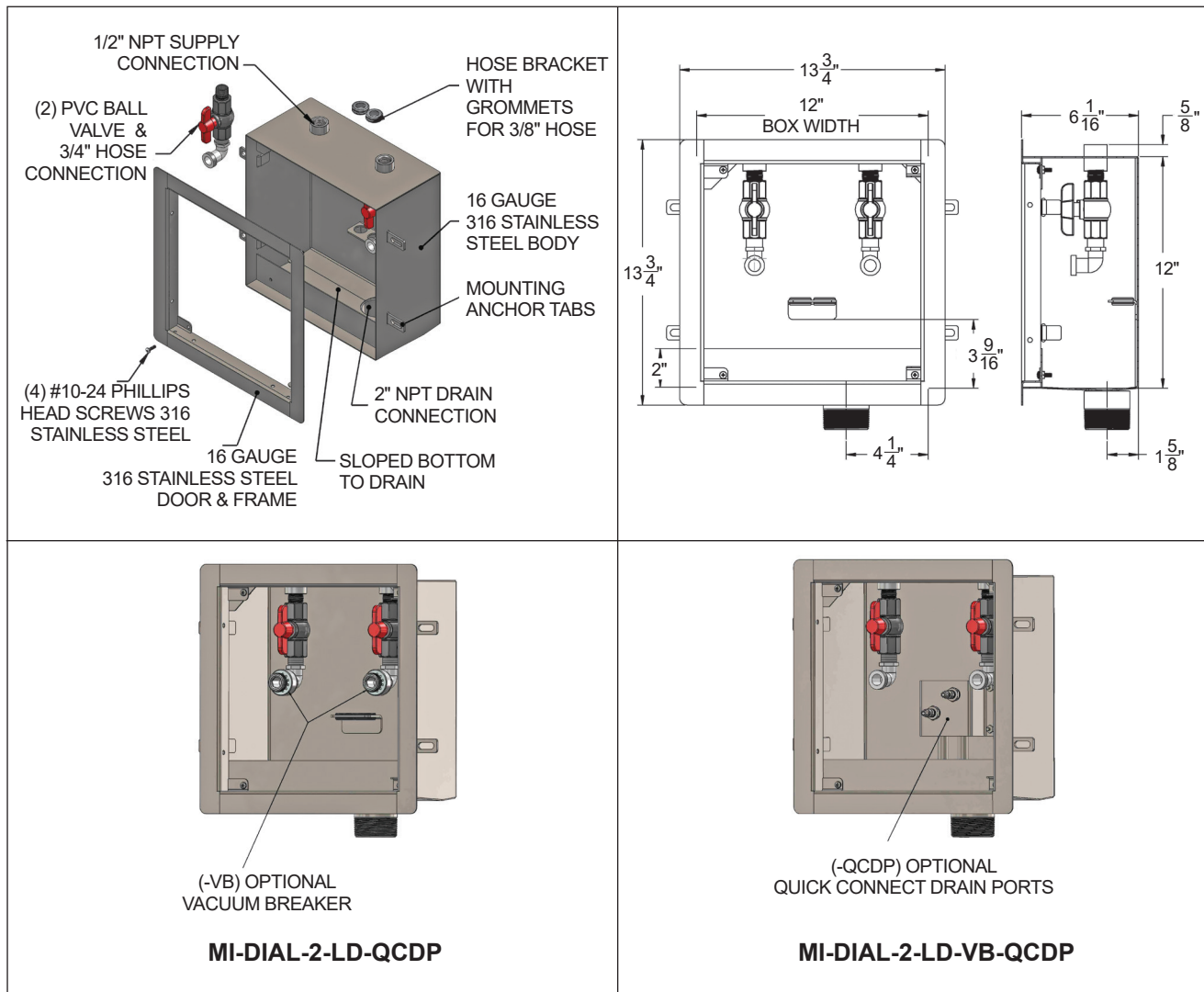
MIFAB® MI-DIAL-2-LD

STAINLESS STEEL SUPPLY & WASTE DIALYSIS BOX WITH TWO VALVES (NO DOOR)



SPECIFICATION: MIFAB® MI-DIAL-2-LD supply and waste dialysis box is constructed of 16 gauge, Type 316 stainless steel (satin finish), continuous welded corners, four mounting anchor tabs, two 1/2" NPT PVC supply connections with PVC ball valves and 3/4" hose connections. Bracket with grommets for two 3/8" diameter hose and 2" stainless steel drain connection with sloped bottom.

FUNCTION: MIFAB's Stainless Steel supply and waste dialysis boxes are designed for use with dialysis machines that use RO (reverse osmosis) and DI (deionized) water, mixed with dialysate saline concentrate. This water corrodes steel, some stainless steels, cast iron, copper and brass metals regularly used in supply and waste systems. There are two types of dialysis machines. One type mixes dialysate into the RO-DI water inside the machine and the other requires pre-mixed water. When the first type is used, MIFAB's single valve models (MI-DIAL) are satisfactory. When the second type is used, MIFAB's two valve models (MI-DIAL-2) are required.



OPTIONAL VARIATIONS:

- 304PB Type 304 stainless steel box (instead of Type 316)
- 304PF Type 304 stainless steel supply fittings with bronze ball valve
- VB Bronze vacuum breaker with 3/4" hose connection on supply line
- QCDP 1/4" quick connect drain port connections (Type 304 stainless steel)
- RF Round front stainless steel door (instead of a flat door)
- CS Custom box size (specify dimensions required. MIFAB can manufacture MI-DIAL dialysis boxes to any dimensions required).

Design and dimensions are subject to modification. Prices do not include applicable taxes. Visit www.mifab.com for the most recent product information.

MIFAB®, Inc., 1321 West 119th Street, Chicago, Illinois 60643-5109, USA
All sales subject to MIFAB's® Terms and Warranties. Please refer to inside front cover.

USA Toll Free: 1-800-465-2736 • Fax: 1-773-341-3049
Canada Toll Free: 1-800-387-3880 • sales@mifab.com

LIST PRICES

MI-DIAL - \$1,386.00 List Price

MI-DIAL OPTIONAL VARIATIONS			
<input type="checkbox"/>	-304PB	Type 304 stainless steel box (instead of Type 316)	deduct \$428.00
<input type="checkbox"/>	-304PF	Type 304 stainless steel supply fittings with bronze ball valve	add \$252.00
<input type="checkbox"/>	-VB	Bronze vacuum breaker with 3/4" hose connection on supply line	add \$25.00
<input type="checkbox"/>	-QCDP	1/4" quick connect drain port connections (Type 304 stainless steel)	add \$252.00
<input type="checkbox"/>	-RF	Round front stainless steel door (instead of a flat door)	add \$302.00
<input type="checkbox"/>	-CS	Custom box size (specify dimensions required. MIFAB can manufacture MI-DIAL dialysis boxes to any dimensions required).	contact MIFAB for quote

MI-DIAL-2 - \$1,512.00 List Price

MI-DIAL-2 OPTIONAL VARIATIONS			
<input type="checkbox"/>	-304PB	Type 304 stainless steel box (instead of Type 316)	deduct \$428.00
<input type="checkbox"/>	-304PF	Type 304 stainless steel supply fittings with bronze ball valve	add \$504.00
<input type="checkbox"/>	-VB	Bronze vacuum breaker with 3/4" hose connection on supply line	add \$50.00
<input type="checkbox"/>	-QCDP	1/4" quick connect drain port connections (Type 304 stainless steel)	add \$252.00
<input type="checkbox"/>	-RF	Round front stainless steel door (instead of a flat door)	add \$302.00
<input type="checkbox"/>	-CS	Custom box size (specify dimensions required. MIFAB can manufacture MI-DIAL dialysis boxes to any dimensions required).	contact MIFAB for quote

MI-DIAL-LD - \$1,260.00 List Price

MI-DIAL-LD OPTIONAL VARIATIONS			
<input type="checkbox"/>	-304PB	Type 304 stainless steel box (instead of Type 316)	deduct \$328.00
<input type="checkbox"/>	-304PF	Type 304 stainless steel supply fittings with bronze ball valve	add \$252.00
<input type="checkbox"/>	-VB	Bronze vacuum breaker with 3/4" hose connection on supply line	add \$25.00
<input type="checkbox"/>	-QCDP	1/4" quick connect drain port connections (Type 304 stainless steel)	add \$252.00
<input type="checkbox"/>	-CS	Custom box size (specify dimensions required. MIFAB can manufacture MI-DIAL dialysis boxes to any dimensions required).	contact MIFAB for quote

LIST PRICES

MI-DIAL-2-LD - \$1,386.00 List Price

MI-DIAL-2-LD OPTIONAL VARIATIONS		
<input type="checkbox"/>	-304PB	Type 304 stainless steel box (instead of Type 316) deduct \$328.00
<input type="checkbox"/>	-304PF	Type 304 stainless steel supply fittings with bronze ball valve add \$504.00
<input type="checkbox"/>	-VB	Bronze vacuum breaker with 3/4" hose connection on supply line add \$50.00
<input type="checkbox"/>	-QCDP	1/4" quick connect drain port connections (Type 304 stainless steel) add \$252.00
<input type="checkbox"/>	-CS	Custom box size (specify dimensions required. MIFAB can manufacture MI-DIAL dialysis boxes to any dimensions required). contact MIFAB for quote

CROSS REFERENCE			
MIFAB	ACORN	WILLOUGHBY	BRADLEY
MI-DIAL	8196	DB-8196	7920 (S86-183)
MI-DIAL-2	8195	DB-8195	7919 (S86-182)
MI-DIAL-LD	8191	DB-8191	7908 (S86-177)
MI-DIAL-2-LD	8190	DB-8190	7907 (S86-176)



NOTES

Lined area for handwritten notes, consisting of approximately 25 horizontal lines.



CERTIFIED
MANAGEMENT SYSTEM
ISO 9001:2015

DB-2018



Use the QR Code to download
a digital copy of this catalog
to your mobile device

Dialysis Boxes LIT-070