

Location: \_\_\_\_\_

	CZ	SEISMIC SERIES
---	----	----------------

**Specification:**

**Dimensions** - 4 7/8" High x 6" Wide x 9.6" to 38.5" Length (Base Length)

**Materials**

Base - 100% recycled rubber, UV resistant

Strut - 14 gauge Galvanized Channel

Rod - 1/2" electro zinc plated all threaded rod risers



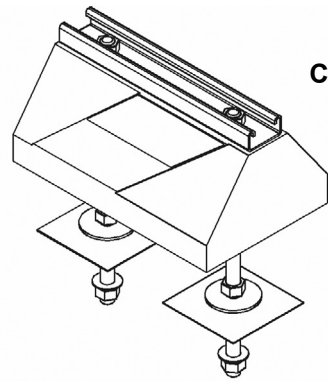
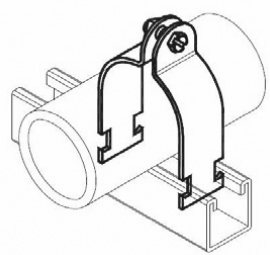
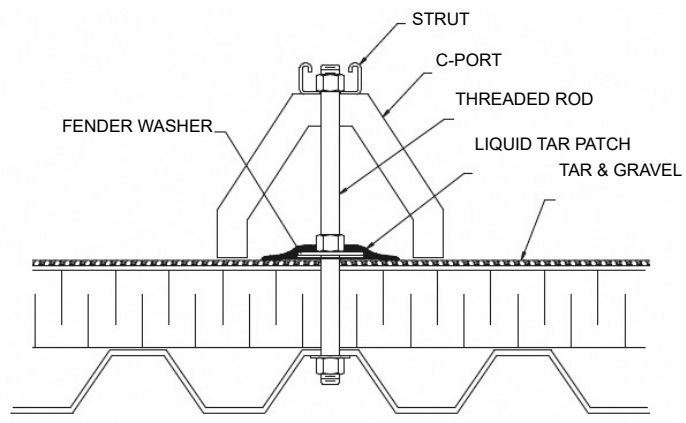
Gasket - 3" x 3"

**Maximum Load** - 750 lbs. - for each 9.6" long support



**Environmentally Friendly**  
made from  
**100% recycled tires**

**Function:** The CZ Seismic Series is designed for superior support of gas and refrigeration piping systems, cable tray, electrical conduit, multiple lines, HVAC equipment and many other applications. This is a penetrating support fastened to the structure under the membrane. It is ideally designed for hurricane resistance or seismic applications. It is suitable for most types of roofing material or other flat surfaces.

 <p><b>CZ10 illustrated</b></p>	 <p>YOUR ROOFTOP SUPPORT SOLUTION Proudly made with 100% recycled rubber</p> <p>U.S. Patent No. 7,866,093</p>	 <p><b>CZ10</b></p>
 <p>Strut clamps sold separately.</p>	 <p>Labels: STRUT, C-PORT, THREADED ROD, LIQUID TAR PATCH, TAR &amp; GRAVEL, FENDER WASHER</p>	

H1\* - Overall height is from bottom of rubber support to top of the strut

H2\*\* - Base Height is from bottom of rubber support to top of the rubber support.

MODEL NO.	OVERALL HEIGHT (H1)*	OVERALL HEIGHT (H2**)	WIDTH (W)	LENGTH (L)	WEIGHT
<b>CZ10</b>	4 7/8" (124)	4" (102)	6" (152)	9.6" (244)	5.90 lbs.
<b>CZ20</b>	4 7/8" (124)	4" (102)	6" (152)	19.2" (488)	11.83 lbs.
<b>CZ30</b>	4 7/8" (124)	4" (102)	6" (152)	28.8" (732)	16.91 lbs.
<b>CZ40</b>	4 7/8" (124)	4" (102)	6" (152)	38.5" (978)	22.32 lbs.

Channel also available in corrosion resistant stainless steel or aluminum. Not seismic tested or approved.

CALIFORNIA PROPOSITION 65 WARNING. This product contains chemicals known to the State of California to cause cancer and birth defects or other reproductive harm.

Job Name: _____	Page No: _____
Section No: _____	Contractor: _____
Schedule No: _____	Purchase Order No: _____