

Location: \_\_\_\_\_



**CS**

**1 5/8" STEEL CHANNEL SERIES W/ 6"  
ADJUSTABLE 1 7/8" X 1 7/8" SQUARE LEG**

**Specification:**

Base with 12 gauge Galvanized Channel (1 5/8" high) and Adapter Leg

**Dimensions** - 5 5/8" High (not including height of adapter leg) x 6" Wide x Length (Base Length)

**Material** - 100% recycled rubber, UV resistant

**Adapter Fitting** - 1 7/8" x 1 7/8" channel with 9/16" holes on all three (3) sides.

**Maximum Load** - 750 lbs. - for each 9.6" long support

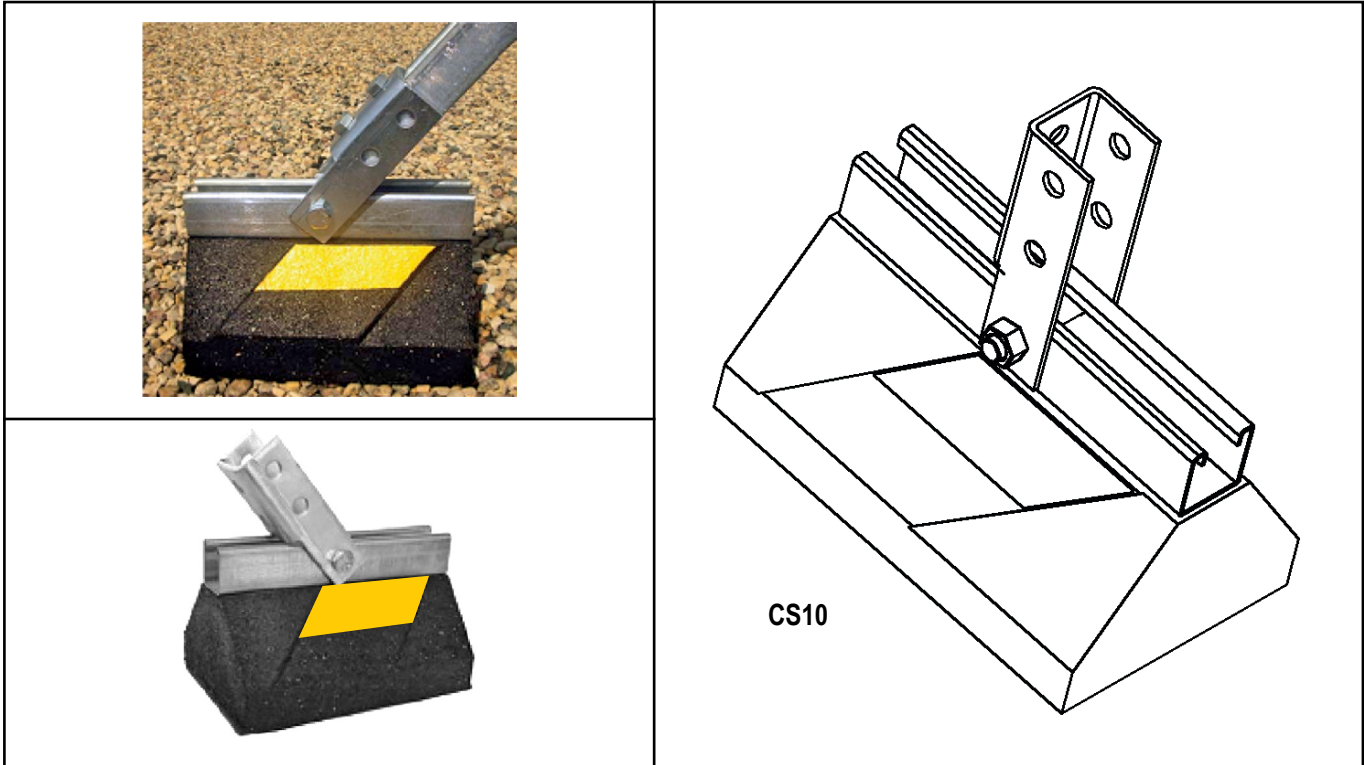


**Environmentally Friendly  
made from  
100% recycled tires**

**Function:** CS Vari-Angle support is variable angle support designed for ventilation duct, walkway systems, HVAC equipment and many other applications installed on sloped or uneven surfaces. Adapter leg will accommodate 1 5/8" x 1 5/8" steel strut for framing. It is UV resistant and suitable for installation on most types of roofing material and sloped surfaces.



U.S. Patent  
No. 7,866,093



MODEL NO.	OVERALL HEIGHT (H1)*	HEIGHT (H2)**	WIDTH (W)	LENGTH (L)	WEIGHT
CS10	5 5/8" (143)	4" (102)	6" (152)	9.6" (244)	7.97 lbs.
CS20	5 5/8" (143)	4" (102)	6" (152)	22" (558)	15.07 lbs.
CS30	5 5/8" (143)	4" (102)	6" (152)	28.8" (732)	20.29 lbs.
CS40	5 5/8" (143)	4" (102)	6" (152)	38.5" (978)	26.43 lbs.
CS48	5 5/8" (143)	4" (102)	6" (152)	48" (1219)	32.60 lbs.

\*H1 - Overall height is from bottom of rubber support to top of the strut

\*\*H2 - Base height is from bottom of rubber support to top of the rubber support Channel also available in corrosion resistant stainless steel or aluminum.

CALIFORNIA PROPOSITION 65 WARNING. This product contains chemicals known to the State of California to cause cancer and birth defects or other reproductive harm.

Job Name: \_\_\_\_\_ Page No: \_\_\_\_\_  
 Section No: \_\_\_\_\_ Contractor: \_\_\_\_\_  
 Schedule No: \_\_\_\_\_ Purchase Order No: \_\_\_\_\_