

Location: _____



CREW

**EXTENDED ROLLER SERIES,
WIDEBODY BASE**

Specification:

Dimensions

Base - 12" Width x 12" Length

Roller Width - 3", 4", or 6" (See Chart)

Total Height to Roller Centre - 12" or 16" (See Chart)

Material

Base - 100% recycled rubber, UV resistant

Roller - rubber (cast iron galvanized rollers for 6" pipe are also available)

The extending rods, as well as the horizontal rod that the roller rests on, are all 1/2" electro zinc plated all threaded rod risers

Maximum Load - 500 lbs.

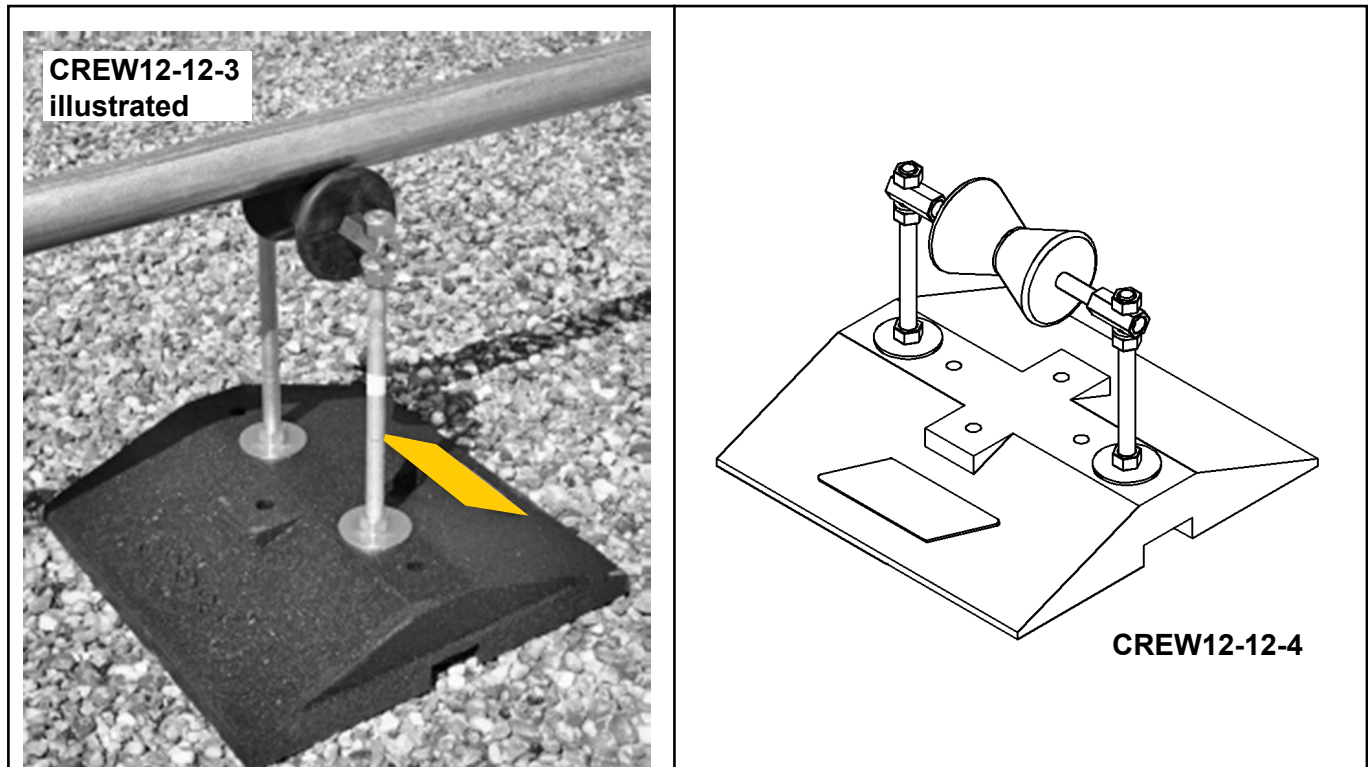


**Environmentally Friendly
made from
100% recycled tires**



Consult with roofing consultant for allowable loads.

Function: The CREW Series support is designed for superior support of gas and refrigeration pipes. The roller allows for longitudinal movements of the pipe. The wide-bodied base provides additional stability and load-bearing capacity. This support is suitable for most types of roofing material or other flat surfaces.



MODEL NO.	PIPE SIZE (OD)	OVERALL HEIGHT (H) TO ROLLER CENTRE	WIDTH (W)	LENGTH (L)	WEIGHT
CREW12-12-3	Up to 3"	12" (305)	12" (305)	12" (305)	11.3 lbs.
CREW12-12-4	3" to 4"	12" (305)	12" (305)	12" (305)	11.5 lbs.
CREW12-12-6	4" to 6"	12" (305)	12" (305)	12" (305)	13.0 lbs.
CREW12-16-3	Up to 3"	16" (406)	12" (305)	12" (305)	11.5 lbs.
CREW12-16-4	3" to 4"	16" (406)	12" (305)	12" (305)	11.7 lbs.
CREW12-16-6	4" to 6"	16" (406)	12" (305)	12" (305)	13.5 lbs.

Also available with a 3" or 4" rubber roller, or a 6" cast iron galvanized roller.

CALIFORNIA PROPOSITION 65 WARNING. This product contains chemicals known to the State of California to cause cancer and birth defects or other reproductive harm.

Job Name: _____ Page No: _____
 Section No: _____ Contractor: _____
 Schedule No: _____ Purchase Order No: _____