

Location: _____



CES

MEDIUM LOAD SERIES

Specification:

Dimensions - 10" High x 9.6" Base Length x 12" to 24" Crossbeam

Width (See Chart)

Material

Base - 100% recycled rubber, UV resistant

Crossbeam and Uprights - 1 5/8" x 1 5/8", 14 gauge galvanized steel strut

Maximum Load - 500 lbs.



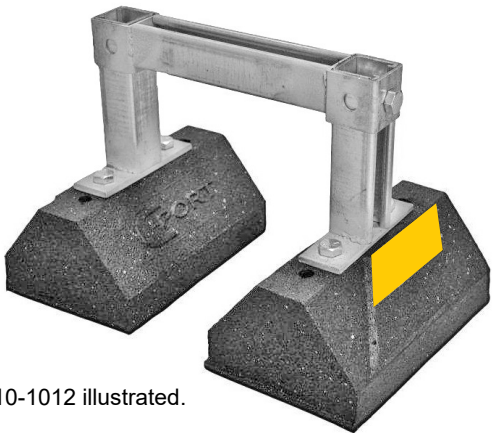
Environmentally Friendly
made from
100% recycled tires

Function: The CES Series can support gas and refrigeration piping systems, cable tray, electrical conduit, multiple lines, HVAC equipment and many other applications. It is designed for rooftop applications requiring a heavier load bearing, and is suitable for most types of roofing material or other flat surfaces.

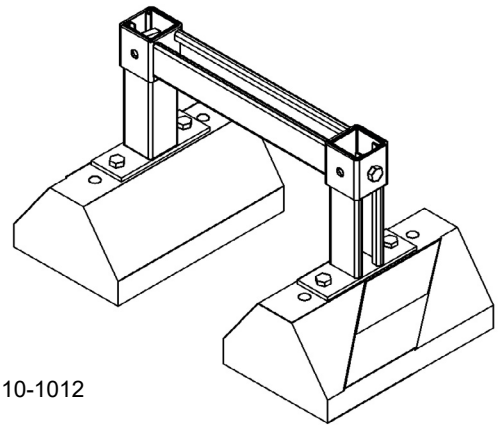


Consult with roofing consultant for allowable loads.

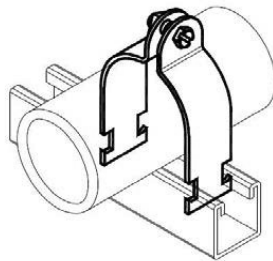
U.S. Patent
No. 7,866,093



CES10-1012 illustrated.



CES10-1012



Strut Clamps sold separately.

MODEL NO.	HEIGHT (H)	CROSSBEAM WIDTH	BASE WIDTH	BASE LENGTH	WEIGHT
CES10-1012	10" (254)	12" (305)	6" (152)	9.6" (244)	14.21 lbs.
CES10-1024	10" (254)	24" (610)	6" (152)	9.6" (244)	15.62 lbs.

Channel also available in corrosion resistant stainless steel or aluminum.

CALIFORNIA PROPOSITION 65 WARNING. This product contains chemicals known to the State of California to cause cancer and birth defects or other reproductive harm.

Job Name: _____
Section No: _____
Schedule No: _____

Page No: _____
Contractor: _____
Purchase Order No: _____