

Location: _____



CAD

CEILING OR WALL ACCESS DOOR

Specification: MIFAB® Series CAD recessed access door is designed for use in acoustical, drywall, or tiled surfaces. The door panel is recessed 5/8" (15) to allow the insertion of various types of material. Only the thickness of the door and frame edges are exposed. It has a unique white finish.

Material: CAD Series is 16 gage satin coat steel door and 16 gage satin coat steel frame. The CADSS Stainless Steel Series is 16 gage #304 stainless steel door and frame.

Finish: Satin coat steel doors have a primed white finish. Stainless steel doors have a #4 brush satin finish.

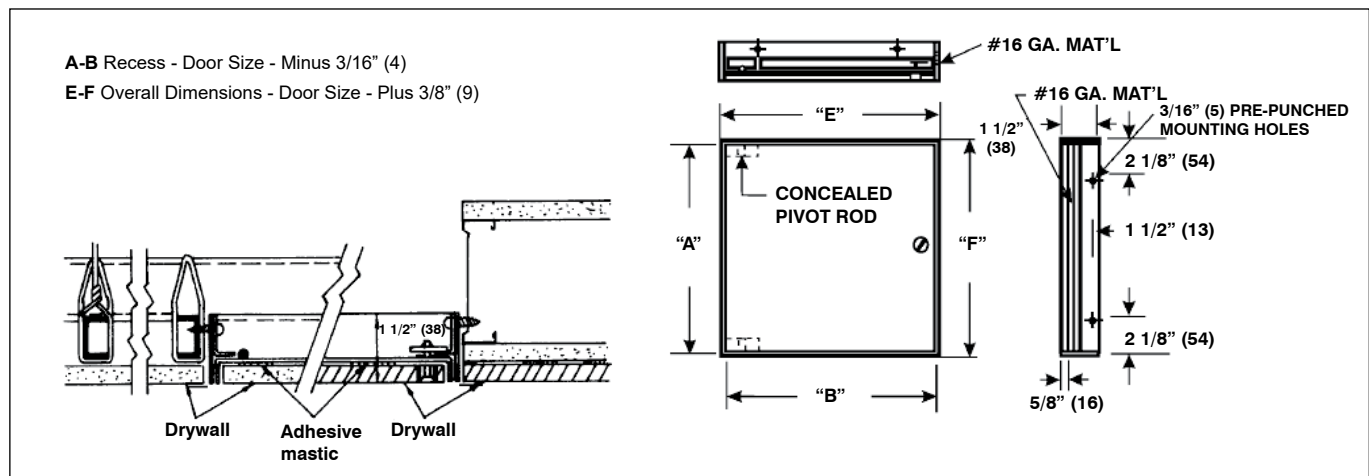
Door: Recessed 5/8" (15) door pan to accept tile, drywall or other finishing materials.

Frame: Flush to surface.

Hinge: Concealed pivot pins.

Latch: Standard – Flush mounted, screwdriver operated cam. Optional – Allen key, cylinder key, or vandal resistant latch. All of MIFAB's cylinder key locks are keyed alike.

Packaging: Individual pack.



"B" x "A"	WALL OPENING	SHIP WEIGHT (Lbs.)	LATCHES	MILD STEEL MODEL #	STAINLESS STEEL MODEL #
8" x 8"	8 3/16" x 8 3/16"	4.5	1	CAD0808	CADSS0808
12" x 12"	12 3/16" x 12 3/16"	7.0	1	CAD1212	CADSS1212
12" x 24"	12 3/16" x 24 3/16"	12.0	2	CAD1224	CADSS1224
14" x 14"	14 3/16" x 14 3/16"	9.0	2	CAD1414	CADSS1414
16" x 16"	16 3/16" x 16 3/16"	10.5	2	CAD1616	CADSS1616
18" x 18"	18 3/16" x 18 3/16"	12.0	3	CAD1818	CADSS1818
24" x 24"	24 3/16" x 24 3/16"	18.5	4	CAD2424	CADSS2424
24" x 36"	24 3/16" x 36 3/16"	22.0	5	CAD2436	CADSS2436

SUFFIX	OPTIONAL VARIATIONS
-A	Allen key lock
-BA	Buy American Act compliant product
-C	Cylinder key lock
-PA	Pennsylvania Steel Act compliant product
-VP	Vandal resistant hardware (VP Screwdriver included)

(Dimension) Denotes Millimetres
NOTE: The hinge is always furnished on the "A" or height (longer) dimension, unless otherwise specified.

CALIFORNIA PROPOSITION 65 WARNING. This product contains chemicals known to the State of California to cause cancer and birth defects or other reproductive harm.

Job Name: _____ Page No: _____
 Section No: _____ Contractor: _____
 Schedule No: _____ Purchase Order No: _____