

Location: _____

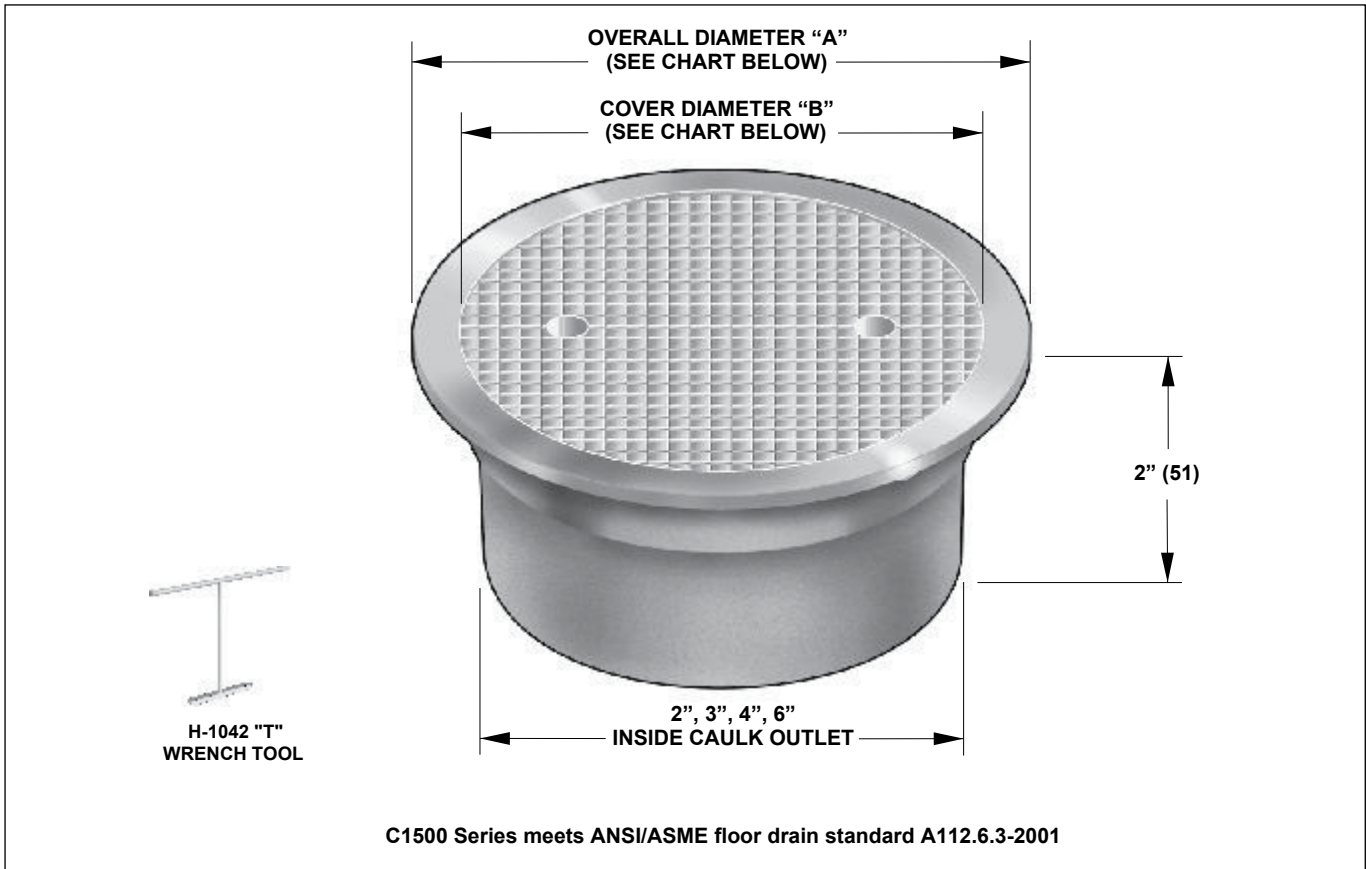


C1500

DECK CLEANOUT

Specification: MIFAB Series C1500 deck cleanout, nickel bronze body with round, scoriated secured cover.

Function: Used in finish floors to provide emergency access to the plumbing lines for removal blockages.



MODEL NUMBER	WT. Lbs	DESCRIPTION	PIPE SIZE	COVER DIA . "B"	OVERALL DIA . "A"
C1502X	3.00	2" Round scoriated deck cleanout	2" I.C.	2 3/4"	4 3/4"
C1503X	4.00	3" Round scoriated deck cleanout	3" I.C.	3 1/2"	6"
C1504X	6.00	4" Round scoriated deck cleanout	4" I.C.	4 1/2"	7 3/8"
C1506X	12.00	6" Round scoriated deck cleanout	6" I.C.	7 7/8"	9 3/8"

Suffix	Description
H-1042	"T" wrench tool
-BA	Buy American Act compliant product
-PA	Pennsylvania Steel Act compliant product

CALIFORNIA PROPOSITION 65 WARNING. This product contains chemicals known to the State of California to cause cancer and birth defects or other reproductive harm.

Job Name: _____ Page No: _____
 Section No: _____ Contractor: _____
 Schedule No: _____ Purchase Order No: _____