

Location: \_\_\_\_\_

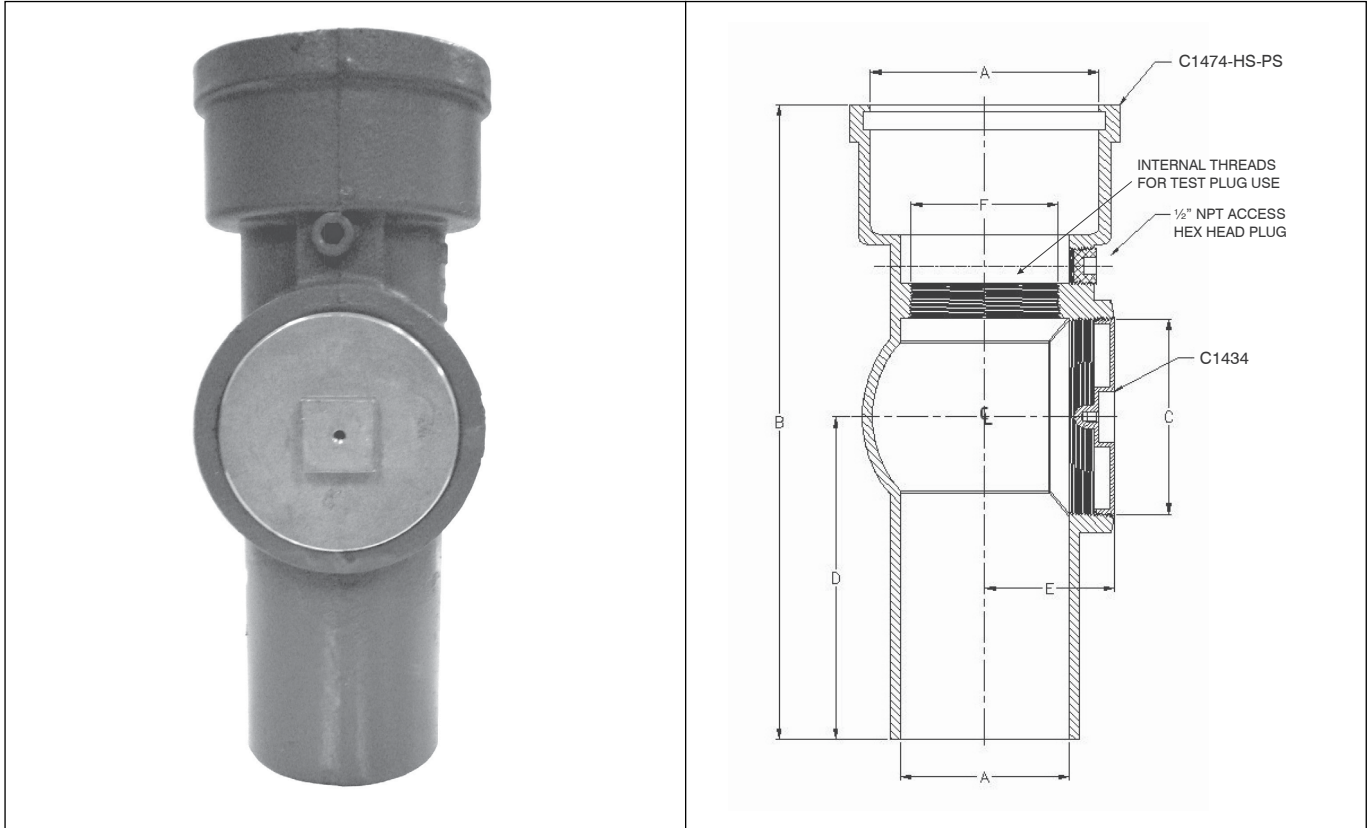


**C1470**

**CAST IRON STACK CLEANOUT**

**Specification:** MIFAB C1470 Series lacquered cast iron stack cleanout with threaded bronze cleanout plug and 1/4" NPT. access hex head plug.

**Function:** The C1470 Series is used in concealed drainage lines where access to the piping is required via a cleanout that permits testing of the piping above the plug through the use of internal threads inside of the tee.



MODEL NUMBER	PIPE SIZE "A"	"B"	PLUG SIZE "C"	"D"	SIZE "E"
<b>C1474</b>	4"	14 3/4"	4"	7 1/2"	3"
<b>C1476</b>	6"	17"	6"	8 1/2"	5"

Suffix	Description
-13	All galvanized
-34B	Brass test plug
-NH	No Hub inlet connection
X	Inside caulk inlet connection
-BA	Buy American Act compliant product (with no hub outlet connection)
-PA	Pennsylvania Steel Act compliant product

CALIFORNIA PROPOSITION 65 WARNING. This product contains chemicals known to the State of California to cause cancer and birth defects or other reproductive harm.

Job Name: \_\_\_\_\_ Page No: \_\_\_\_\_  
 Section No: \_\_\_\_\_ Contractor: \_\_\_\_\_  
 Schedule No: \_\_\_\_\_ Purchase Order No: \_\_\_\_\_