

Location: _____



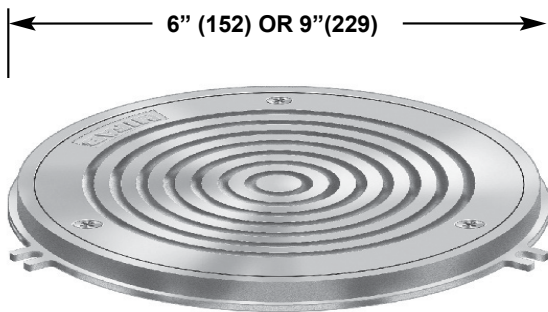
C1300

SCORIATED FLOOR ACCESS COVERS

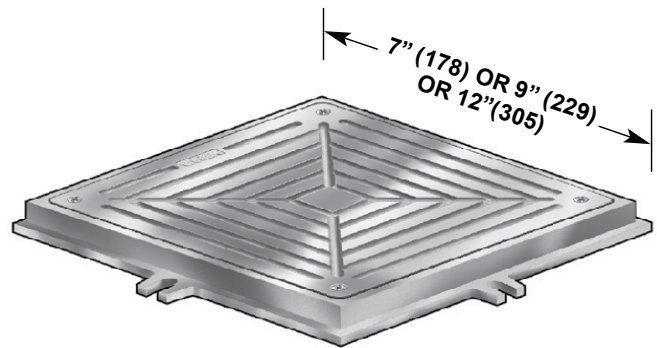
Specification: MIFAB C1300-____ (select model number): C1300-R for round scoriated, C1300-S for square scoriated access cover with frame (specify material) anchor lugs and vandal resistant stainless steel allen key screws.

Function: Used in finished floors to provide emergency access to plumbing lines for removal of blockages. Scoriated cover provides a non-skid surface. Anchor tabs provide a means to secure frame to the sub floor.

**C1300-R6
C1300-R9**



**C1300-S7
C1300-S9
C1300-S12**



C1300 Series meets ANSI/ASME floor drain standard A112.6.3-2001

MODEL NUMBER	DESCRIPTION
C1300-R6	6" round scoriated access cover
C1300-R9	9" round scoriated access cover
C1300-S7	7" x 7" scoriated access cover
C1300-S9	9" x 9" scoriated access cover
C1300-S12	12" x 12" scoriated access cover

Suffix	Description
-1	Nickel bronze top assembly
-4	Extra heavy duty ductile iron top assembly for unfinished areas
-6	Security screws (TR25 Torx & pin)
-95	Special marking etched into top(SAN for sanitary or GW for Grease Waste)
-BA	Buy American Act compliant product
-PA	Pennsylvania Steel Act compliant product

CALIFORNIA PROPOSITION 65 WARNING. This product contains chemicals known to the State of California to cause cancer and birth defects or other reproductive harm.

Job Name: _____ Page No: _____
 Section No: _____ Contractor: _____
 Schedule No: _____ Purchase Order No: _____