

Location: _____

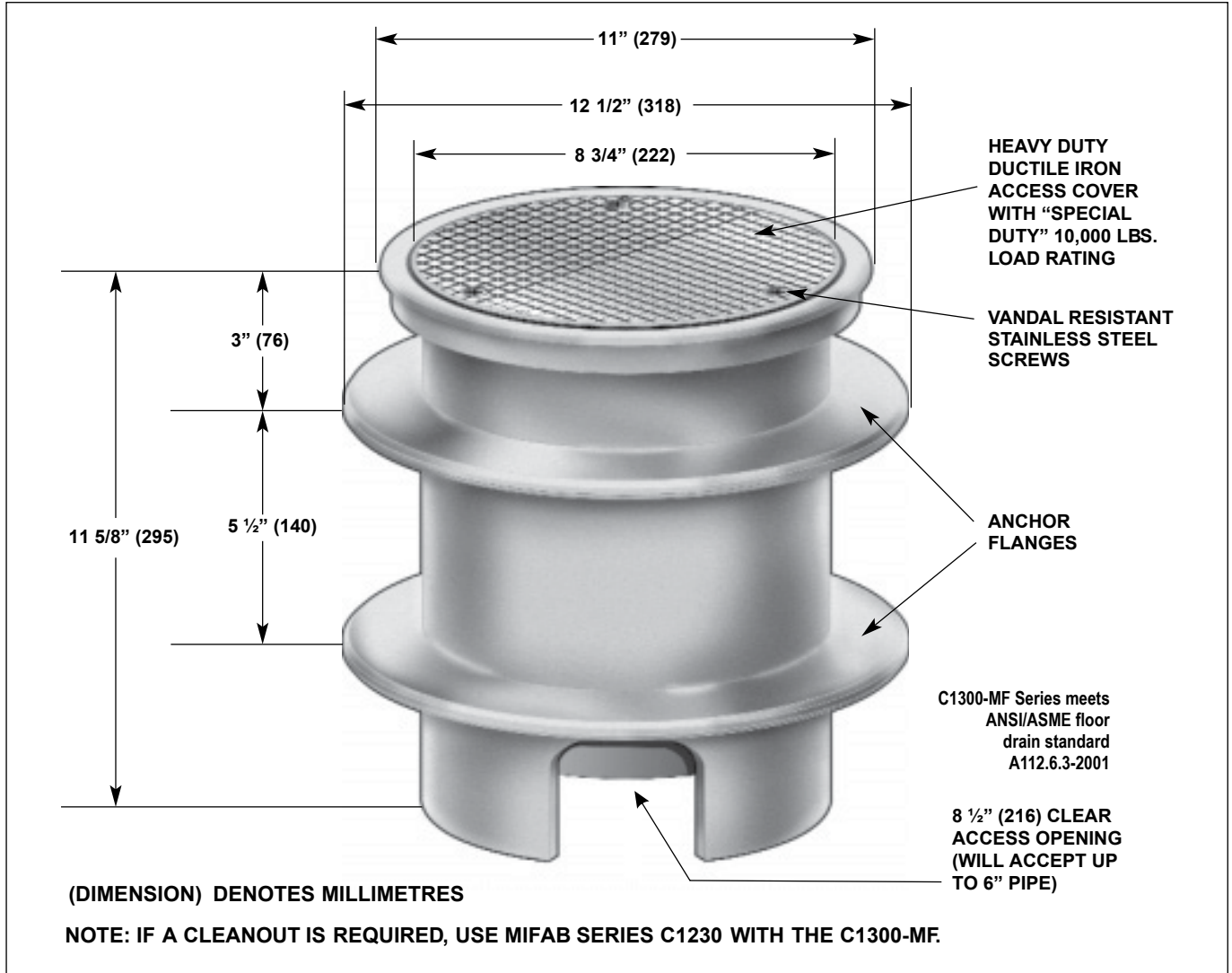


C1300-MF

HEAVY DUTY ACCESS HOUSING WITH ANCHOR FLANGES

Specification: MIFAB C1300-MF Series lacquered cast iron heavy duty access housing with fixed anchor flanges, extra heavy duty ductile iron access cover with 6 1/2" (165) clear bottom access.

Function: Access housing for use inside and outside buildings. Flanges are anchored in concrete to keep the housing rigid. Designed to be free of piping so that no loading is transmitted to the plumbing or electrical connections.



Suffix	Description
-3	Stainless steel cover and frame (vener)
-4	Extra heavy duty ductile iron top assembly for unfinished areas
-6	Security screws (TR30 Torx & pin)
-11	Acid resistant epoxy coated body
-13	Galvanized body
-BA	Buy American Act compliant product
-PA	Pennsylvania Steel Act compliant product

CALIFORNIA PROPOSITION 65 WARNING. This product contains chemicals known to the State of California to cause cancer and birth defects or other reproductive harm.

Job Name: _____ Page No: _____

Section No: _____ Contractor: _____

Schedule No: _____ Purchase Order No: _____