

Location: _____

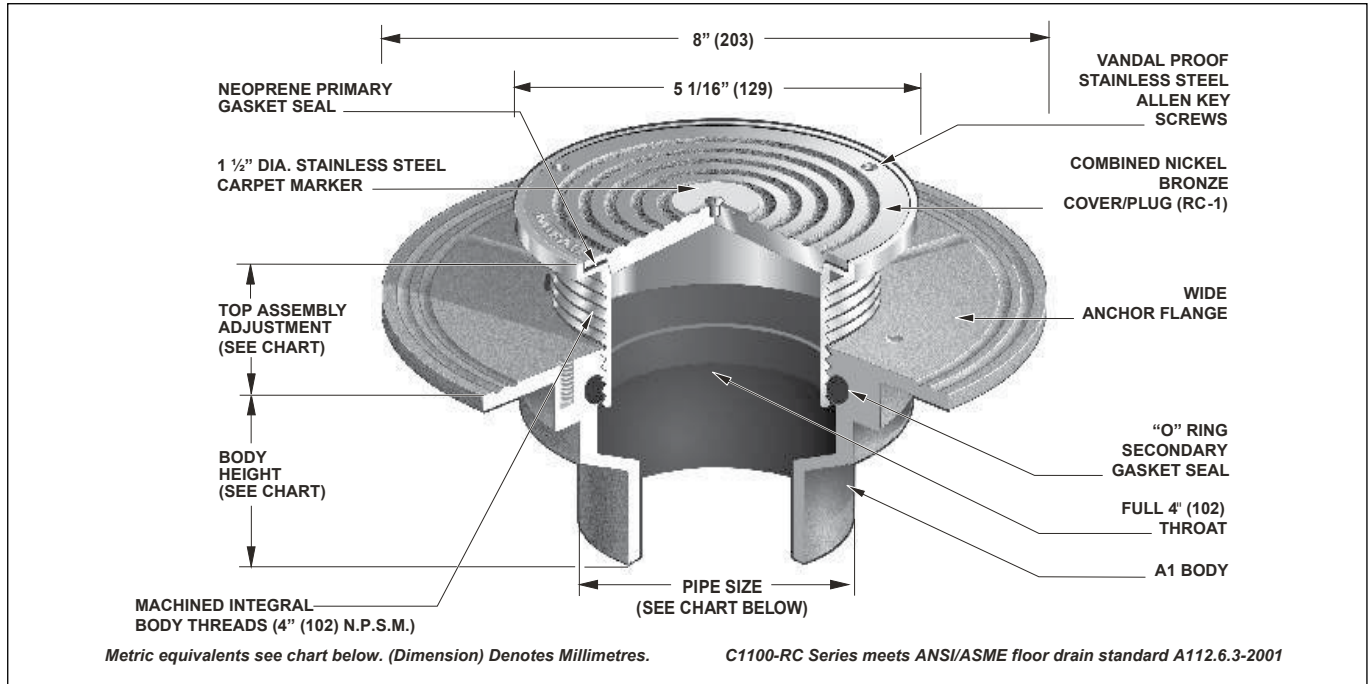


C1100-RC

**FLOOR CLEANOUT WITH CARPET MARKER,
ROUND ADJUSTABLE COVER AND PLUG**

Specification: MIFAB C1100-RC Series adjustable floor cleanout with lacquered cast iron body and anchor flange, secondary "O" ring Test Seal, 4" diameter cleanout opening and round nickel bronze scoriated combined cover and plug top assembly with stainless steel vandal proof allen key screws, primary gasket seal and 1 1/2" round stainless steel carpet marker. (For membrane floors, add Suffix -C for the membrane clamp.)

Function: Used in finished floors to provide emergency access to the plumbing lines for removal of blockages. The 1 1/2" round stainless steel carpet marker bolts to the center of the cleanout cover and provides the operator with the location of the cleanout in carpeted floor areas when access is required. The carpet over the cleanout is cut to access the top assembly. The carpet is replaced and the marker re-installed after the drain line is cleared.



TOP ASSEMBLY DIAMETER	TOP ASSEMBLY ADJUSTMENT		ANSI/ASME RATING LOAD RATING N.B. (-1) Lbs.	PIPE SIZE	BODY HEIGHT				
	MIN	MAX			LOAD RATING	PUSH ON (P)	THREADED (T)	INSIDE CAULK (X)	PVC/ABS (-30)/(-31)
5" (127)	1/2" (13)	1 1/4" (32)	Up To 4,999	2" (51)	3" (76)	3 3/8" (86)	2 1/4" (57)	3 3/4" (95)	2 15/16" (75)
				3" (76)	3" (76)	3 3/8" (86)	2 5/8" (67)	3 3/4" (95)	3 3/4" (95)
				4" (102)	3" (76)	3 3/8" (86)	2 5/8" (67)	3 3/4" (95)	3 3/4" (95)
				5" (127)	3" (76)	--	2 5/8" (67)	3 3/4" (95)	--
				6" (152)	3 1/4" (83)	6 1/2" (165)	--	--	--

Suffix	Description
-1	Nickel bronze top assembly(standard)
-6	Security screws (TR25 Torx & pin)
-11	Acid resistant epoxy coated body
-13	Galvanized body
-15	Extension
-28	Stainless steel body (Type 304)
-30	PVC socket connection body
-31	ABS socket connection body
-34	Secondary closure plug
-90	Threaded side outlet (2",3",4") (cast iron only)

-90NH	No hub side outlet (2", 3", 4") cast iron only)
-95	Special marking etched into top (SAN for sanitary or GW for Grease Waste)
-BA	Buy American Act compliant product
-C	Membrane clamp
(Standard)	No hub outlet
P	Push on outlet
-PA	Pennsylvania Steel Act compliant product
T	Threaded outlet (2",3",4")
X	Inside caulk outlet
-Z	Extended wide elastomeric flange

CALIFORNIA PROPOSITION 65 WARNING. This product contains chemicals known to the State of California to cause cancer and birth defects or other reproductive harm.

Job Name: _____
 Section No: _____
 Schedule No: _____

Page No: _____
 Contractor: _____
 Purchase Order No: _____