

Location: _____

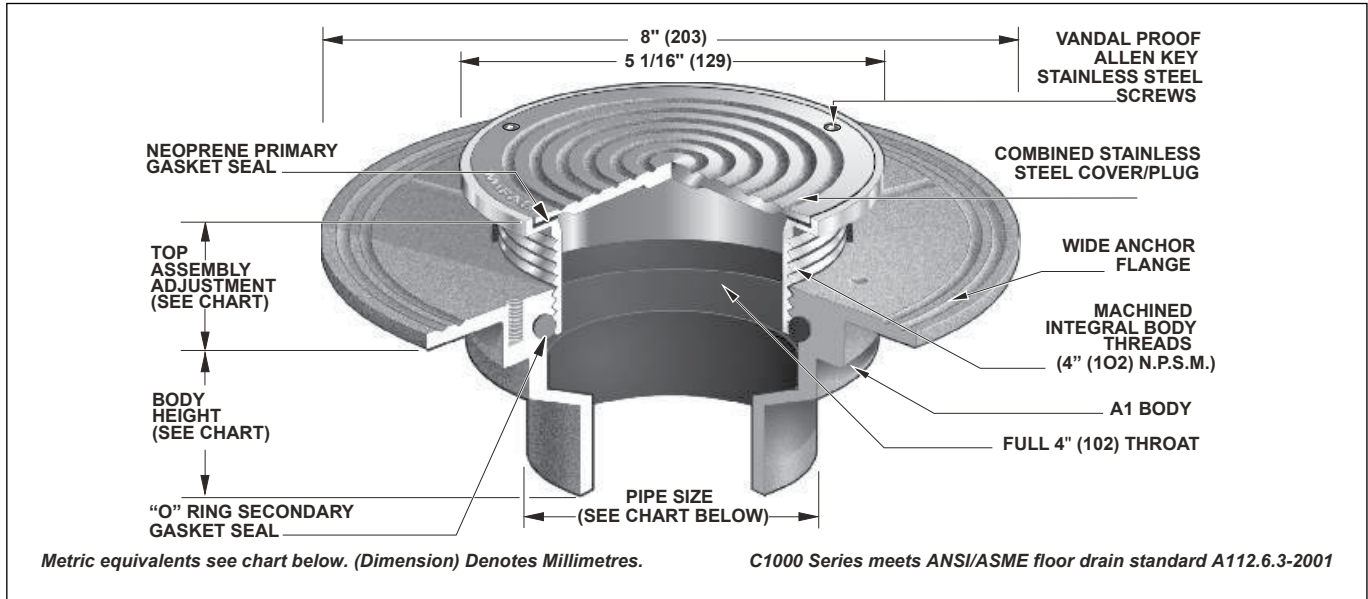


C1000

STAINLESS STEEL FLOOR CLEANOUT WITH HEAVY DUTY ADJUSTABLE COVER AND PLUG

Specification: MIFAB® C1000 Series (specify top assembly design) adjustable floor cleanout with lacquered cast iron body and anchor flange, secondary "O" ring Test Seal, 4" diameter cleanout opening and heavy duty cast stainless steel scoriated combined cover and plug top assembly with stainless steel vandal proof allen key screws and primary gasket seal. (For membrane floors, add Suffix -C for membrane clamp.)

Function: Used in finished floors to provide emergency access to the plumbing lines for removal of blockages. Replacement of the surface level cover/plug with the neoprene gasket glued to the underside provides visual evidence that the cleanout has been properly resealed to prevent harmful sewer gases from entering the building. Heavy duty, cast, Type 304 stainless steel cover and plug ensures long life.



| TOP ASSEMBLY DIAMETER | TOP ASSEMBLY ADJUSTMENT | | ANSI/ASME RATING | | PIPE SIZE | BODY HEIGHT | | | | |
|-----------------------|-------------------------|-------------|------------------|--------------------------|-------------|-------------------|-------------|--------------|------------------|---------------------|
| | MIN | MAX | LOAD RATING | | | NO HUB (STANDARD) | PUSH ON (P) | THREADED (T) | INSIDE CAULK (X) | PVC/ABS (-30)/(-31) |
| | | | S.S. (-3) Lbs. | D.I. (-4) Lbs. | | | | | | |
| 5" (127) | 1/2" (13) | 1 1/4" (32) | 5,000 to 7,499 | Special Duty Over 10,000 | 2" (51) | 3" (76) | 3 3/8" (86) | 2 1/4" (57) | 3 3/4" (95) | 2 15/16" (75) |
| | | | | | 3" (76) | 3" (76) | 3 3/8" (86) | 2 5/8" (67) | 3 3/4" (95) | 3 3/4" (95) |
| | | | | | 4" (102) | 3" (76) | 3 3/8" (86) | 2 5/8" (67) | 3 3/4" (95) | 3 3/4" (95) |
| | | | | | 5" (127) | 3" (76) | -- | 2 5/8" (67) | 3 3/4" (95) | -- |
| 6" (152) | | | | | 3 1/4" (83) | 6 1/2" (165) | -- | -- | -- | |

| Suffix | Description |
|--------|---|
| -3 | Heavy duty stainless steel top assembly |
| -4 | Extra heavy duty ductile iron top assembly for unfinished areas |
| -6 | Security screws (TR25 Torx & pin) |
| -6S | 6" x 6" square top assembly (-1 or -3 only) |
| -11 | Acid resistant epoxy coated body |
| -13 | Galvanized body |
| -15 | Extension |
| -28 | Stainless steel body (Type 304) |
| -30 | PVC socket connection body |
| -31 | ABS socket connection body |
| -34 | Secondary closure plug |
| -90 | Threaded side outlet (2", 3", 4") (cast iron only) |
| -90NH | No hub side outlet (2", 3", 4") cast iron only |
| -95 | Special marking etched into top (SAN for sanitary or GW for Grease Waste) |

| | |
|------------|--|
| -BA | Buy American Act compliant product |
| -C | Membrane clamp |
| P | Push on Outlet |
| (Standard) | No hub outlet |
| -R | Round top assembly |
| -RC | Stainless steel carpet maker |
| -RCF | Stainless steel carpet flange cover (-1 or -3 only) |
| -S | Square top assembly (-1 or -3 only) (5" x 5") |
| -T | Round top assembly recessed 1/8" for tile |
| T | Threaded outlet (2", 3", 4") |
| -TS | Square top assembly recessed 1/8" for tile (-1 or -3 only) |
| -UR | Round top assembly recessed 1 1/4" for terrazzo (-1 or -3 only) |
| -US | Square top assembly recessed 1 1/4" for terrazzo (-1 or -3 only) |
| X | Inside caulk outlet |
| -Z | Extended wide elastomeric flange |

CALIFORNIA PROPOSITION 65 WARNING. This product contains chemicals known to the State of California to cause cancer and birth defects or other reproductive harm.

Job Name: _____
 Section No: _____
 Schedule No: _____

Page No: _____
 Contractor: _____
 Purchase Order No: _____