

Location: _____

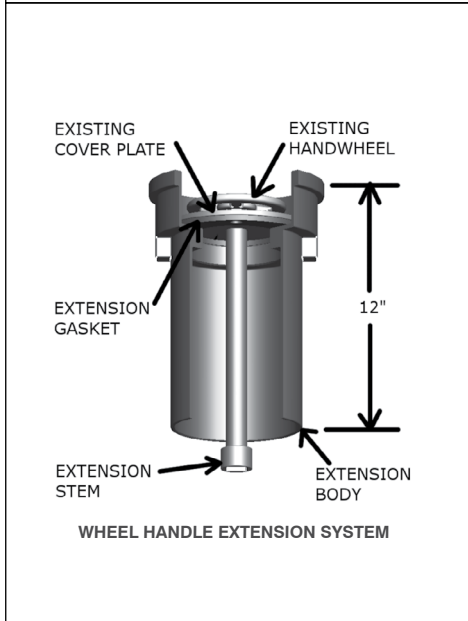
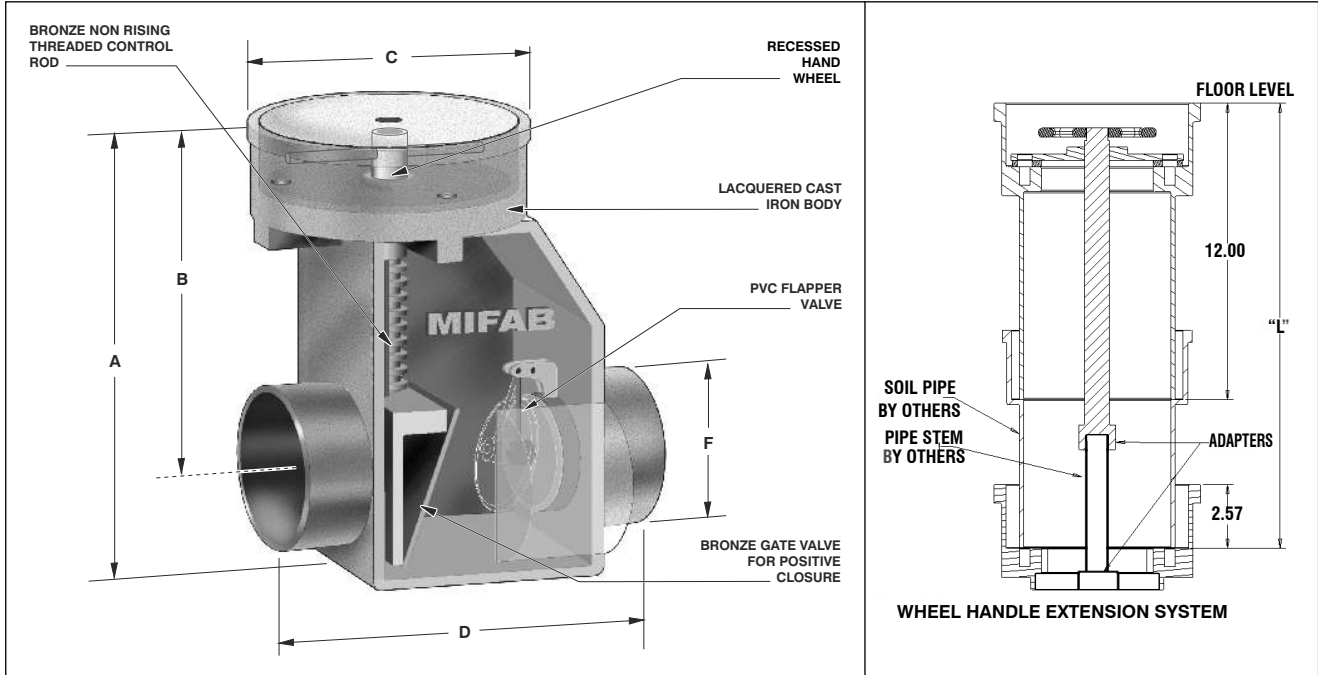


BV1300

MANUALLY OPERATED GATE TYPE BACKWATER VALVE

Specification: MIFAB® Series BV1300 in-line gate type manual operated backwater valve, lacquered cast iron body with automatic PVC flapper valve and a bronze gate valve manually controlled by a recessed handle underneath the floor cover connected to a bronze non-rising threaded control rod.

Function: Used as a drainage control valve. The flapper backwater valve provides protection against sewage backflow into the building. The manually closed bronze gate valve provides additional protection during severe storms or when the building is not in use.



Note: Do not use the plumbing fixtures in the building when the manual shut off valve is closed. Do not use for pressurized applications; for gravity flow only. Backflow protection is prevented when the valve is obstructed by debris or sludge; clean regularly.

MODEL NUMBER	"A" BODY HIGHT	"B" INVERT	"C" COVER DIA.	"D" LENGTH	"F" PIPE SIZE
BV1304	15 3/4" (400)	12" (205)	8" (203)	14" (356)	4" (102)
BV1306	19" (483)	14 1/2" (368)	10 1/2" (267)	16" (406)	6" (152)

SUFFIX	OPTIONAL VARIATIONS
-13	All galvanized
-EXT4	12" Extension (BV1304)
-EXT6	12" Extension (BV1306)
-EXT4-24	24" Extension (BV1304)
-EXT6-24	24" Extension (BV1306)
-BA	Buy American Act compliant product
-HS	Hub and spigot connection
-PA	Pennsylvania Steel Act compliant product

CALIFORNIA PROPOSITION 65 WARNING. This product contains chemicals known to the State of California to cause cancer and birth defects or other reproductive harm.

Job Name: _____ Page No: _____
 Section No: _____ Contractor: _____
 Schedule No: _____ Purchase Order No: _____