

Location: \_\_\_\_\_

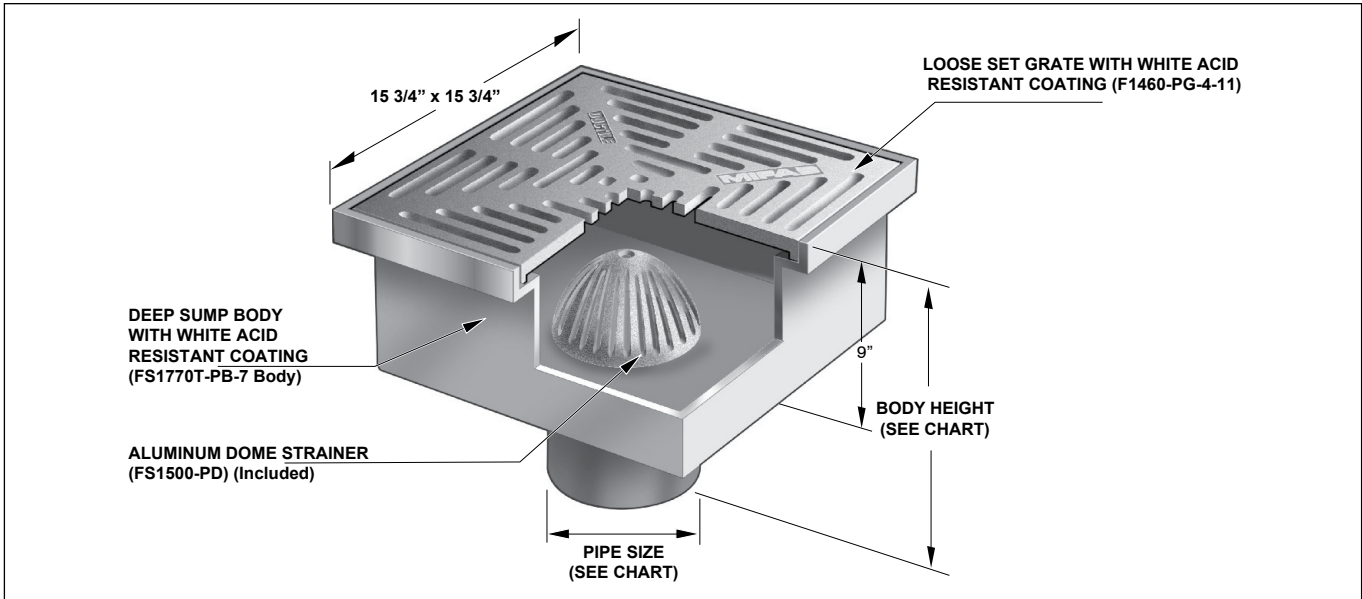


# FS1770

## 16" X 16" X 9" DEEP FLOOR AREA AND INDIRECT SANITARY WASTE DRAIN

**Specification:** MIFAB Series FS1770, 16" x 16" x 9" deep floor area and indirect sanitary waste drain complete with white acid resistant coated steel interior and heavy duty ductile iron loose set grate with white acid resistant coating. Anti-splash aluminum dome strainer included.

**Function:** Used in kitchens, restaurants, grocery stores, hospitals, schools, and other commercial areas that require a large volume sanitary drain. Also suitable for indirect waste applications.



PIPE SIZE	BODY HEIGHT				
	NO HUB (STANDARD)	PUSH ON (P)	THREADED (T)	INSIDE CAULK (X)	PVC (-30) / ABS (-31)
2" (51)	12" (305)	12 3/8" (314)	11 1/4" (285)	12 3/4" (324)	11 15/16" (303)
3" (76)	12" (305)	12 3/8" (314)	11 5/8" (295)	12 3/4" (324)	12 3/4" (324)
4" (102)	12" (305)	12 3/8" (314)	11 5/8" (295)	12 3/4" (324)	12 3/4" (324)

**Note:** All of MIFAB's FS1770 drains are manufactured with transition outlet bodies only.

Suffix	Description
-1	Full NB grate and frame
-3	Full SS grate and frame
-5	Sediment bucket (F1490-PB-11)
-6	Security screws (H-1039A, 4 pcs) (-1, -3 only)
-7	Trap seal primer connection
-8	Backwater Valve (BV1250 Series) (2", 3", 4")
-9	Hinged grate (-3 only)
-21	Secondary flat strainer (FD-9600 Series)
-22	Less grate
-30	PVC socket connection W/A.R.E. Body (2", 3", 4")
-31	ABS socket connection W/A.R.E. body (2", 3", 4")
-32	Deep seal trap (2", 3", 4" no hub) (MI-950 Series)
-50	A.R.E. coated cast iron funnel
-51	2 1/2" round center hole in grate (-1, -3 only)
-69	Stainless steel sediment bucket (FS1500-PB-3)
-83	Stainless steel mesh screen over sediment bucket (add to S.S. Bucket)

-90	Threaded side outlet
-90NH	No hub side outlet
-95	Client logo (-1, -3 only)
-150	1/2 grate
-175	3/4 grate
-BA	Buy American Act compliant product
-PA	Pennsylvania Steel Act compliant product
-C	Membrane clamp
-F4	4" round funnel
-F6	6" round funnel
-G	4" x 9" oval funnel
-J	3" x 1" oval funnel
P	Push on outlet (2", 3" or 4")
(Standard)	No hub outlet
T	Threaded outlet (2", 3" or 4")
X	Inside caulk outlet (2", 3" or 4")
-Z	Extended wide elastomeric flange (with -FL only)

CALIFORNIA PROPOSITION 65 WARNING. This product contains chemicals known to the State of California to cause cancer and birth defects or other reproductive harm.

Job Name: \_\_\_\_\_ Page No: \_\_\_\_\_  
 Section No: \_\_\_\_\_ Contractor: \_\_\_\_\_  
 Schedule No: \_\_\_\_\_ Purchase Order No: \_\_\_\_\_