

Location: _____

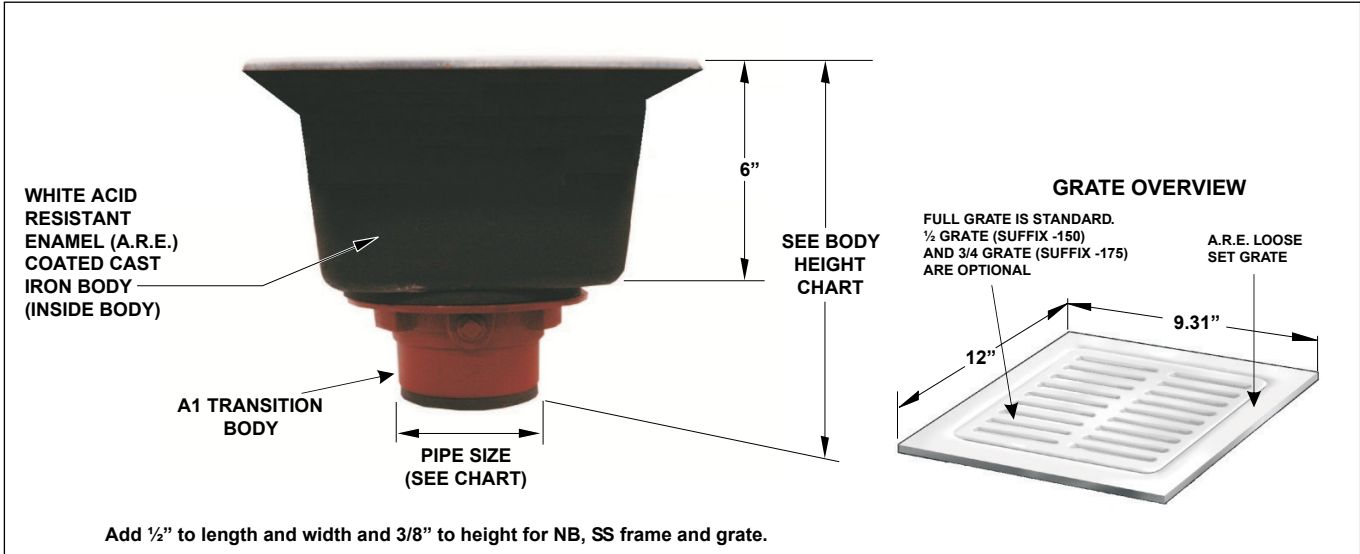


FS1720-TB

**12" X 12" X 6" FLOOR AREA AND
INDIRECT SANITARY WASTE DRAIN**

Specification: MIFAB Series FS1720-TB, 12" x 12" x 6" deep cast iron floor area and indirect sanitary waste drain complete with white acid resistant porcelain enamel coated interior and loose set grate. Anti-splash aluminum dome strainer included.

Function: Used in kitchens, restaurants, grocery stores, hospitals, schools, and other areas that require a large volume sanitary drain. The light duty grate is not suitable for foot traffic. The floor sink body is made with a 4" NPSM threaded connection so that any one of MIFAB's A1 bodies can be threaded onto the underside of the body with a water sealing gasket between the underside of the floor sink and the A1 body.



PIPE SIZE	BODY HEIGHT				
	NO HUB (STANDARD)	PUSH ON (P)	INSIDE CAULK (X)	THREADED (T)	PVC (-30) / ABS (-31)
2" (51)	*8 1/2" (216)	*8 7/8" (225)	*10" (254)	*8 1/2" (216)	*9 1/4" (235)
3" (76)	*8 1/2" (216)	*8 7/8" (225)	*10" (254)	*8 7/8" (225)	*9 1/4" (235)
4" (102)	*8 1/2" (216)	*8 7/8" (225)	**8 5/8" (219)	*8 7/8" (225)	*9 1/4" (235)

*Indicates outlet size and connection available with transition outlet body only.

**4" Inside Caulk Outlet body only available with -FL anchor flange. Not available with a transition outlet body. One piece body only. Outlet sizes indicated by the * are available with the transition outlet body only.

Suffix	Description
-1	Nickel bronze frame and grate
-3	Stainless steel frame and grate
-5	Sediment bucket
-6	Security screws (1, -3 only, T-20 Torx and pin)
-7	1/2" trap seal primer connection
-8	Backwater valve (2", 3" or 4" only)
-9	Hinged grate (-3 only)
-21	Secondary flat stainless steel strainer
-22	Less grate
see FS1920-FL	Stainless steel body (Type 304)
see FS1920-FL	Stainless steel body (Type 316)
-30	PVC outlet
-31	ABS outlet
-32	Deep seal trap with flushing connection
-50	A.R.E. coated cast iron funnel
-51	2 1/2" round center hole in grate (-1, -3 only)
-69	Stainless steel sediment bucket
-83	Stainless steel mesh screen over sediment bucket

-90	Threaded side outlet
-90NH	No hub side outlet
-95	Client logo (-1, -3 only)
-150	1/2 grate
-175	3/4 grate
-BA	Buy American Act compliant product
(Standard)	No hub outlet
-C	Membrane clamp with hardware
-F4	4" round funnel
-F6	6" round funnel
-FL	Anchor flange
-G	4" x 9" oval funnel
-J	3" x 1" oval funnel
-P	Push on outlet
-PA	Pennsylvania Steel Act compliant product
-T	Threaded outlet
X	Inside caulk outlet
-Z	Extended wide elastomeric flange (with -FL only)

CALIFORNIA PROPOSITION 65 WARNING. This product contains chemicals known to the State of California to cause cancer and birth defects or other reproductive harm.

Job Name: _____
 Section No: _____
 Schedule No: _____

Page No: _____
 Contractor: _____
 Purchase Order No: _____